



SP 725 EC-TH-L

#### Product Features

- oil free
- maintenance free
- reduced vibrations
- low noise
- small size
- lightweight
- minimal current consumption
- self priming

#### Applications

- Industrial Applications
- Medical Applications
- Laboratory and Analytical Applications
- Cooling and Heating
- Cleaning



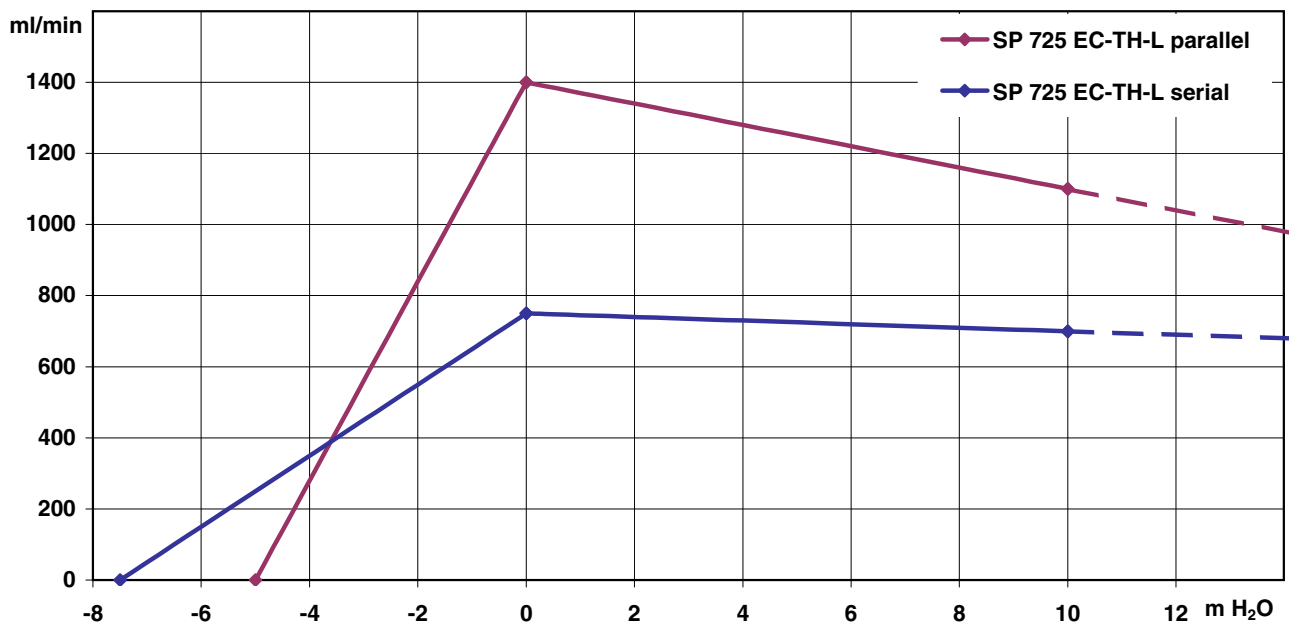
Schwarzer  
Precision



These pumps are our standard models. For special requirements we are offering customised versions. Please contact us!

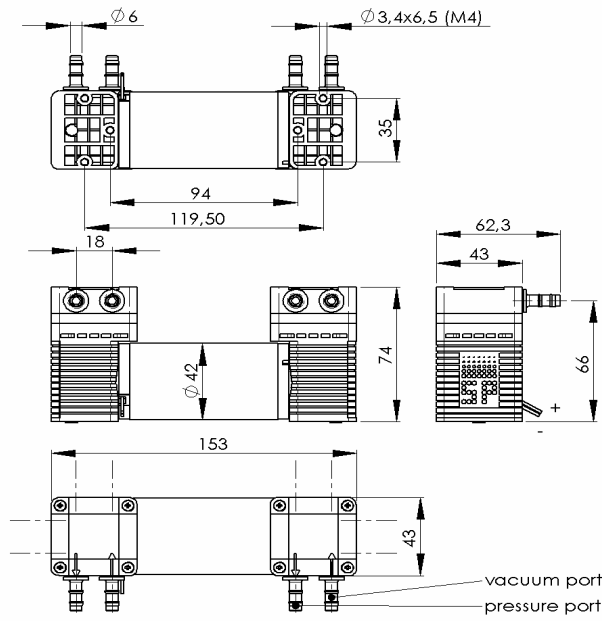
Designation		SP 725 EC-TH-L			
Operating Voltage		12 Vdc		24 Vdc	
Art.No.		7s54072		7s54073	
<b>Hydraulic Performance (measured with water at 20°C)</b>					
		<b>serial</b>	<b>parallel</b>	<b>serial</b>	<b>parallel</b>
Free Flow [ml/min]		750	1400	750	1400
Flow at 10 mWC [ml/min]		700	1100	700	1100
Max Press. Height [m H <sub>2</sub> O]		<10	<10	<10	<10
Although the pumps are able to produce pressure above 10 mWC, it is not recommended to exceed this limit!					
Max Vacuum (dry) [mbar]		-800	-650	-800	-650
Max Suction Height (filled with water) [m H <sub>2</sub> O]		-7,5	-5,0	-7,5	-5,0
<b>Motor / Power Consumption</b>					
Motor Type	standard optional	Long Life Iron Core Double Ball Bearing			
Max Current [mA]		1700		850	
<b>Construction</b>					
Pump Head	standard optional	PPS customer specific - upon request			
Diaphragm, Valves	standard optional	EPDM FKM			
Weight [g]		850		850	

**Performance Curves**





SP 725 EC-TH-L



Standard: connection ports as shown. Optional: 3 other port positions possible (see dashed lines)

