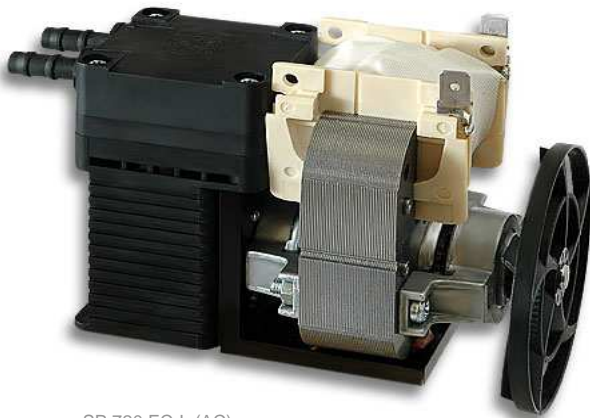




SP 725 EC-L (DC)



SP 720 EC-L (AC)

Product Features

- self-priming
- oil free
- maintenance free
- reduced vibrations
- quiet
- small size
- lightweight
- minimal current consumption

Applications

- Industrial Applications
- Medical Applications
- Laboratory and Analytical Applications
- Cooling and Heating
- Cleaning



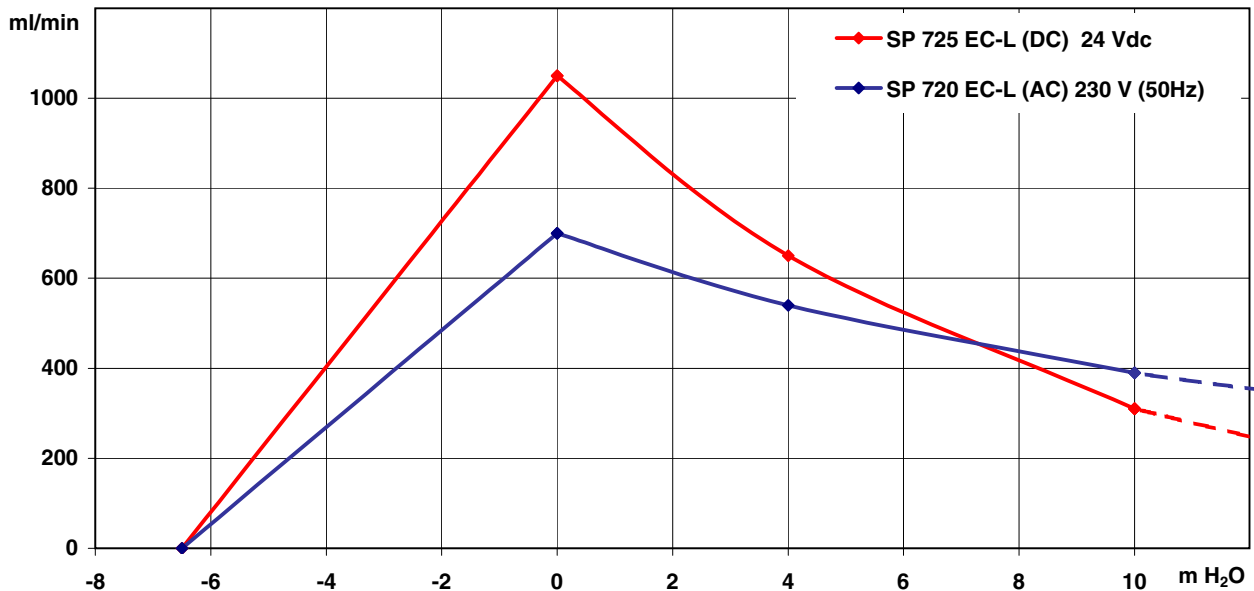
Schwarzer
Precision



The pumps listed below represent a typical selection of our wide range of eccentric pumps and are intended for initial tests. Customised versions for your individual application would be made without extra costs - please contact us!

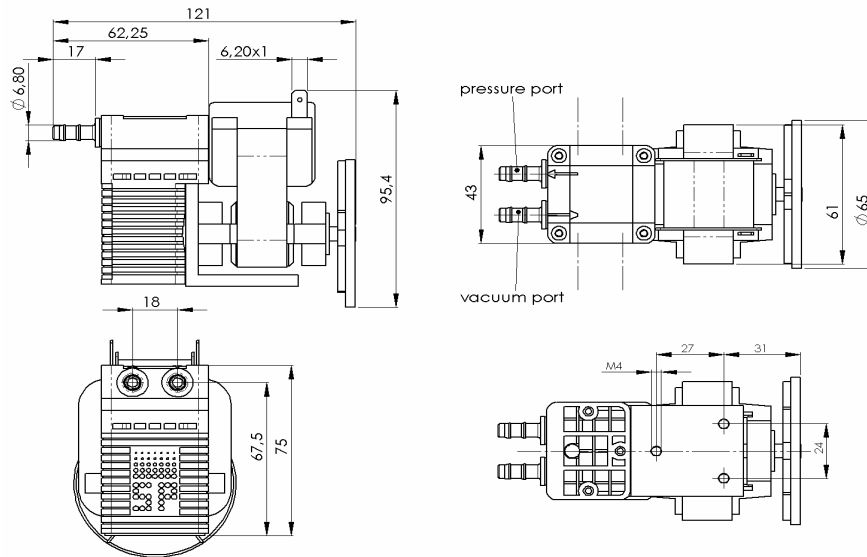
Designation	SP 725 EC-L (DC)		SP 720 EC-L (AC)	
Operating Voltage	12 Vdc	24 Vdc	230 V (50Hz)	120 V (60Hz)
Art.No.	7s54037	7s54038	7s54011	
Hydraulic Performance (measured with water)				
Free Flow [ml/min]	1050	1050	700	
Max Press. Height [m H ₂ O]	>15	>15	>15	
Although the pumps are able to produce pressure above 10 mWC, it is not recommended to exceed this limit!				
Max Vacuum (dry) [mbar]	-700	-700	-700	
Max Suction Height (filled with water) [m H ₂ O]	-6,5	-6,5	-6,5	
Power Consumption				
Motor Type	Iron Core Long Life Double Ball Bearing		Shaded Pole	
max. Current [mA]	700		400	
Construction				
Pump Head standard	PPS			
optional	customer specific - upon request			
Diaphragm standard	EPDM			
optional	FKM			
Valves standard	EPDM			
optional	FKM			
Weight [g]	570		858	

Performance Curves

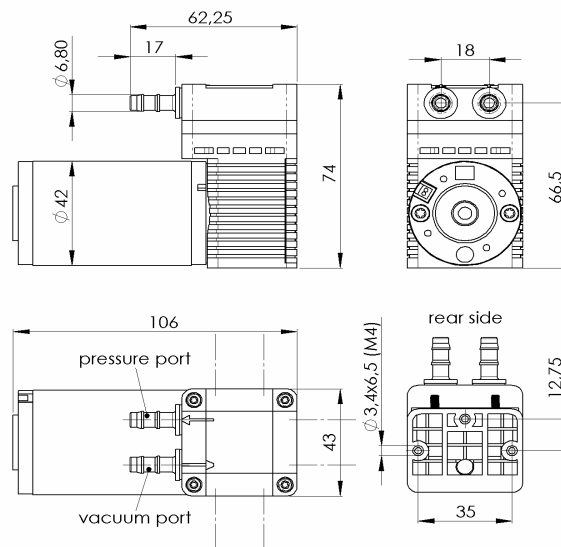




SP 720 EC-L (AC)



SP 720 EC-L (DC) / 725 EC-L (DC)



Standard: connection ports as shown. Optional: 3 other port positions possible (see dashed lines)
Standard: nozzles for tube. Optional: female screw thread 1/8" or customized connectors

