



SP V 700 EC-TH-L (DC)



SP V 700 EC-TH-L (AC)

Product Features

- oil free
- maintenance free
- reduced vibrations
- quiet
- small size
- lightweight
- minimal current consumption

Applications

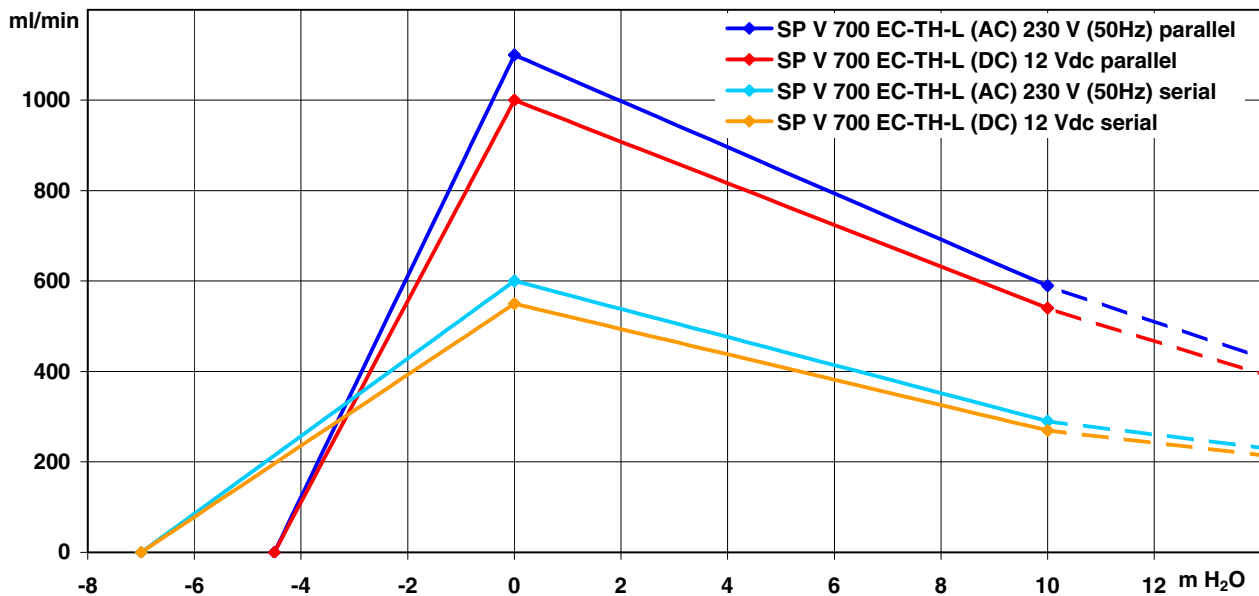
- Industrial Applications
- Medical Applications
- Laboratory and Analytical Applications
- Cooling and Heating
- Cleaning



The pumps listed below represent a typical selection of our wide range of eccentric pumps and are intended for initial tests. Customised versions for your individual application would be made without extra costs - please contact us!

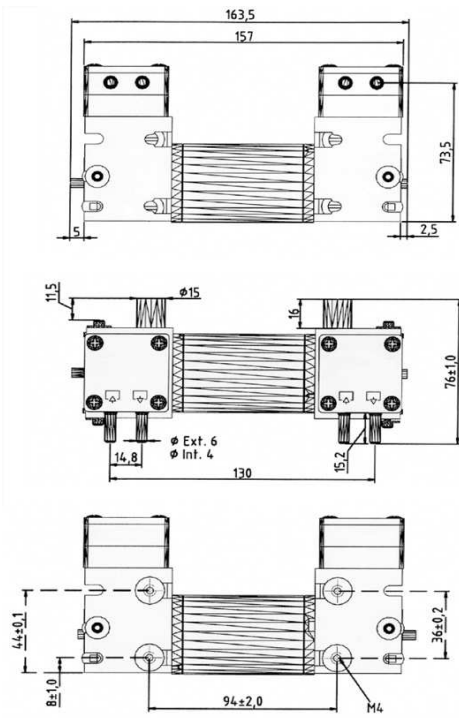
Designation	SP V 700 EC-TH-L (DC)		SP V 700 EC-TH-L (AC)	
Operating Voltage	12 Vdc		230 V (50Hz)	
Art.No.	7e53036		7e53039	
Hydraulic Performance (measured with water)				
	serial	parallel	serial	parallel
Free Flow [ml/min]	550	1000	600	1100
Max Press. Height [m H ₂ O]	>10	>10	>10	>10
Although the pumps are able to produce pressure above 10 mWC, it is not recommended to exceed this limit!				
Max Suction Height (filled with water) [m H ₂ O]	-7,0	-4,5	-7,0	-4,5
Power Consumption				
Motor Type	Skew Wound DC		Shaded Pole	
max. Current [mA]	2000		420	
Construction				
Pump Head standard			PPS	
optional			Nylon	
Diaphragm standard			FKM	
optional			EPDM	
Valves standard			FKM	
optional			-	
Seal standard			Silicone	
optional			FKM	
Weight [g]	780		1800	

Performance Curves





SP V 700 EC-TH-L (DC)



SP V 700 EC-TH-L (AC)

