



SP 570 EC-LD



SP 570 EC-BL-LD

Product Features

- dosing pump for liquids
- no oil lubricants / no maintenance
- virtually leak tight
- self priming
- high flow stability / high repeatability
- minimal current consumption
- long life versions available (> 10000 hours)
- low-cost versions for price sensitiv applications available

Applications

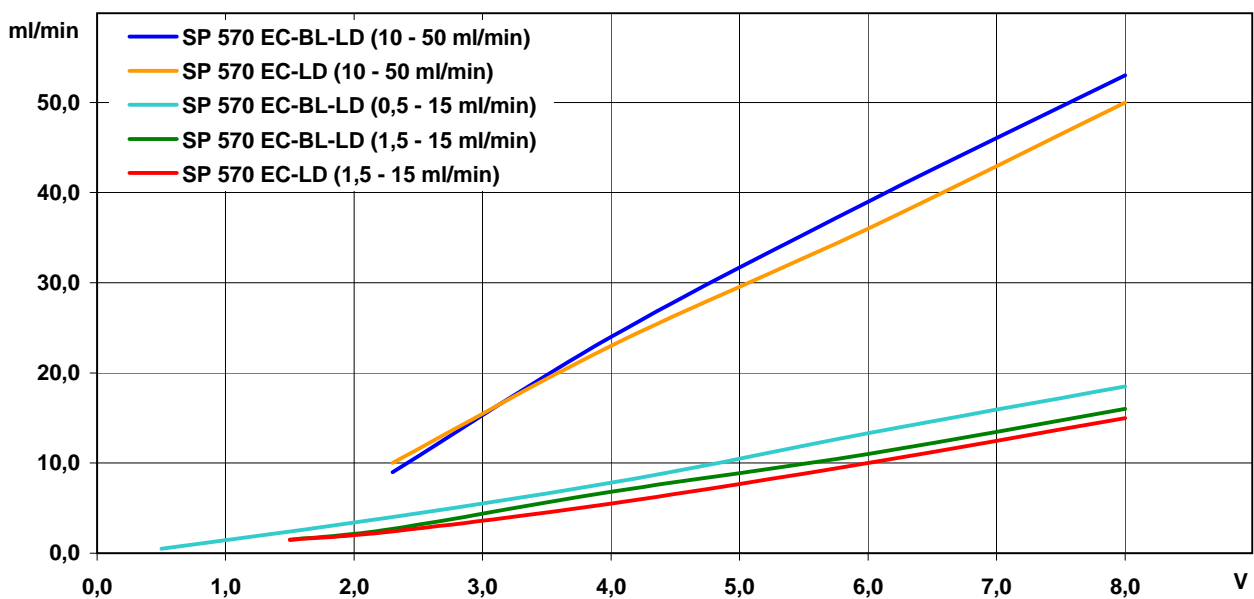
- dosing operations
- medical devices
- analytical devices
- pipetting devices
- fuel cells
- inkjet printers
- reprography
- cooling



The pumps listed below represent a typical selection of our wide range of eccentric pumps and are intended for initial tests. Customised versions for your individual application would be made without extra costs - please contact us!

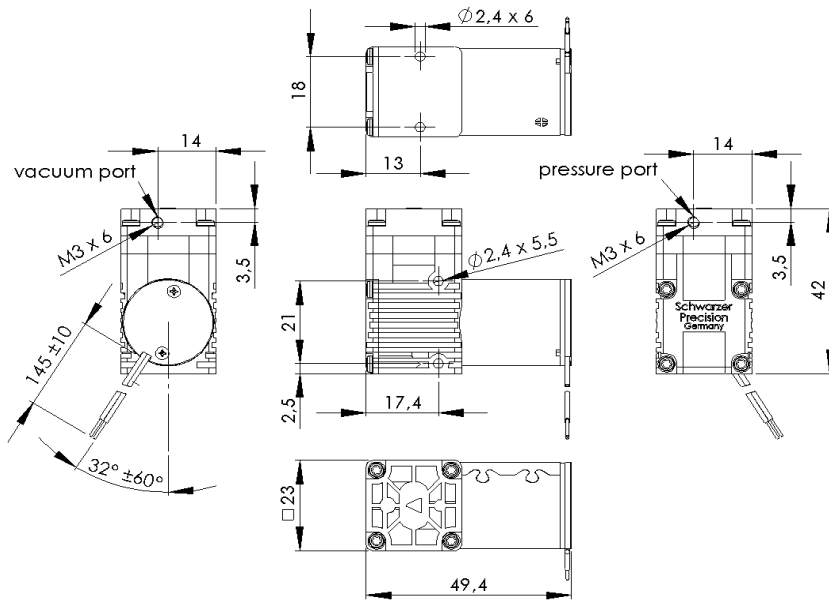
Designation	SP 570 EC-LD		SP 570 EC-BL-LD		
Terminal Voltage (* Coil Voltage)	1.5 - 8 Vdc		12 and 24 Vdc *		
Control Voltage	0.5 - 8.0		0.5 - 8.0	1.5 - 8.0	1.5 - 8.0
Art. No.	(on request)		(on request)		
Hydraulic Performance					
Free Flow [ml/min] average repeatability at identical rpm	1,5 - 15 +/-10%	10 - 50	0,5 - 15	1,5 - 15 +/-5%	10 - 50
Max. intermittent pressure height [m H ₂ O]	60	30	60	60	100
Max. continuous pressure height [m H ₂ O]	30	30	40	40	40
Max. suction height (wet) [m H ₂ O]	2	4	2	2	5
Power Consumption					
Motor Type	standard	skew wound with ball bearings	long-life brushless with ball bearings and internal control electronics		
	optional	-	without internal control electronics		
current consumption at 30 m H ₂ O [mA]	30	80	280	250	220
Construction					
Pump Head	standard	PPS			
	optional	Customer specific (upon request)			
Diaphragm, Valves	standard	EPDM			
	optional	FKM, FFKM / special compounds on request			
Weight [g]	90		110		

Performance Curves





SP 570 EC-LD



SP 570 EC-BL-LD

