



SP 500 EC-LC-LP



SP 550 EC-LP

#### Product Features

- oil free
- maintenance free
- reduced vibrations
- very low noise
- small size
- lightweight
- minimal current consumption
- self priming
- inlet pulsation damper

#### Applications

- Industrial Applications
- Medical Applications
- Laboratory and Analytical Applications
- Cooling and Heating
- Cleaning



Schwarzer  
Precision



## Eccentric Diaphragm Pumps for Liquids

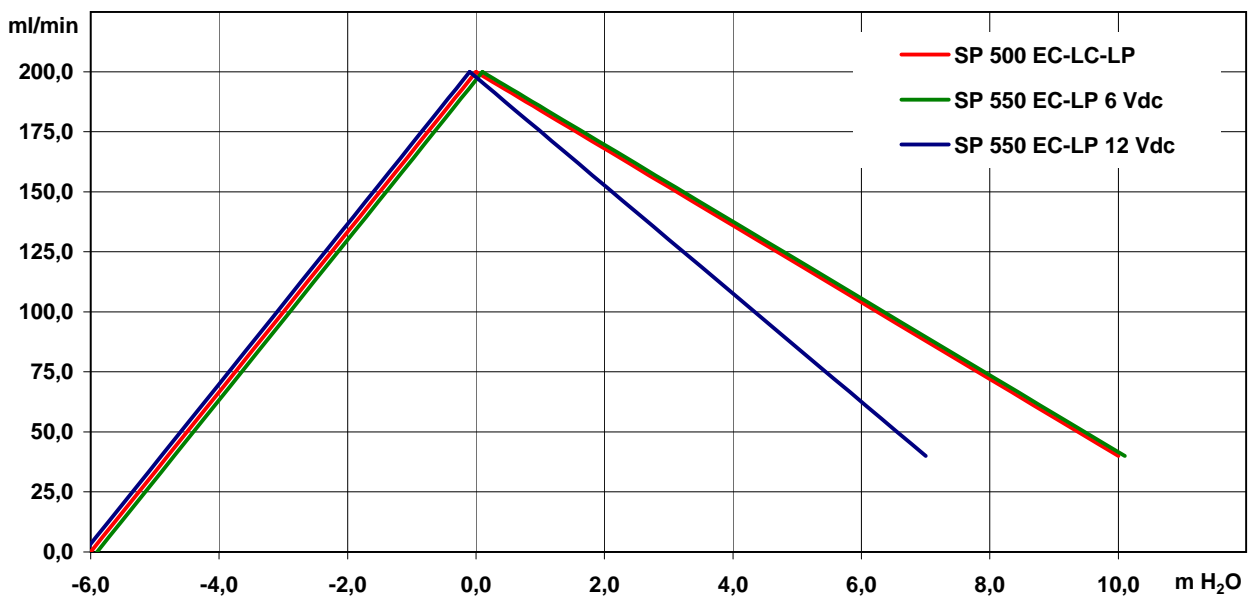
# 500 EC-LC-LP / 550 EC-LP

The pumps listed below represent a typical selection of our wide range of eccentric pumps and are intended for initial tests. Customised versions for your individual application would be made without extra costs - please contact us!

Designation	SP 500 EC-LC-LP			SP 550 EC-LP	
Operating Voltage* Art.No.	4,5 Vdc	6 Vdc	12 Vdc	6 Vdc	12 Vdc
<b>Hydraulic Performance (measured with water)</b>					
Free Flow [ml/min]	200	200	200	200	200
Max Press. Height [m H <sub>2</sub> O]	> 10	> 10	> 10	> 10	> 7
Max Vacuum (dry) [mbar]	-250	-250	-250	-250	-250
Max Suction Height (filled with water) [m H <sub>2</sub> O]	-6,0	-6,0	-6,0	-6,0	-6,0
<b>Power Consumption</b>					
Motor Type	Iron Core DC			long life skew wound brushless	
standard					
optional		-			
max. curr. at free flow [mA]	250	240	100	200	100
<b>Construction</b>					
Pump Body / Head	PPS customer specific (upon request)				
standard					
optional					
Diaphragm, Valves	EPDM FKM / FFKM / PTFE				
standard					
optional					
Weight [g]	36,7			41,0	

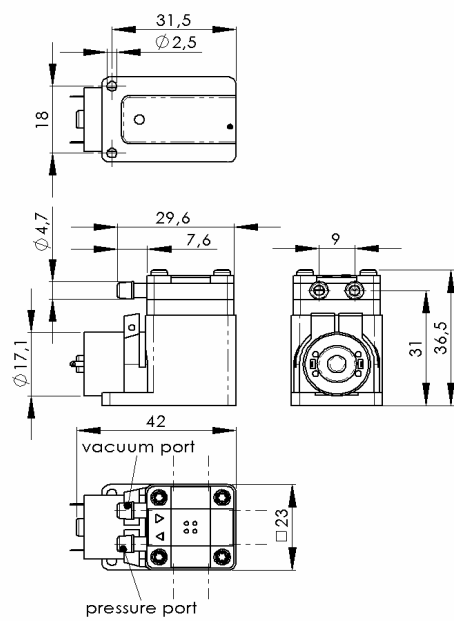
\* other voltages on request

### Performance Curves

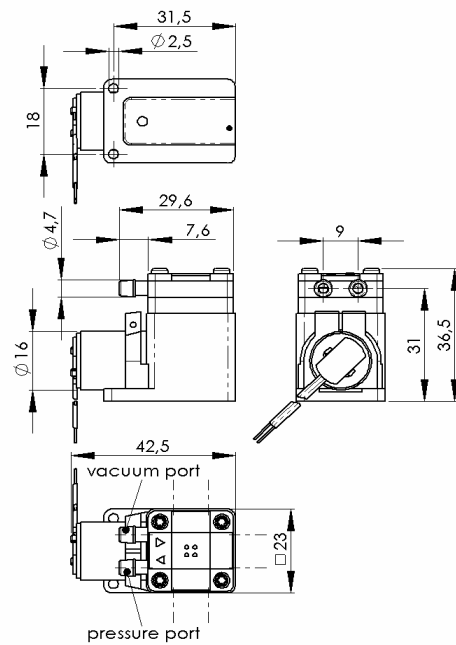




SP 500 EC-LC-LP



SP 550 EC-LP



Standard: connection ports as shown. Optional: 3 other port positions possible (see dashed lines)

