



SP 203 SA



SP 300 SA

#### Product Features

- oil free
- maintenance free
- reduced vibrations
- low noise
- cost effective
- very long life

#### Applications

- Stationary Gas Monitoring
- Battery Chargers
- Laboratory Equipment
- Industrial Applications

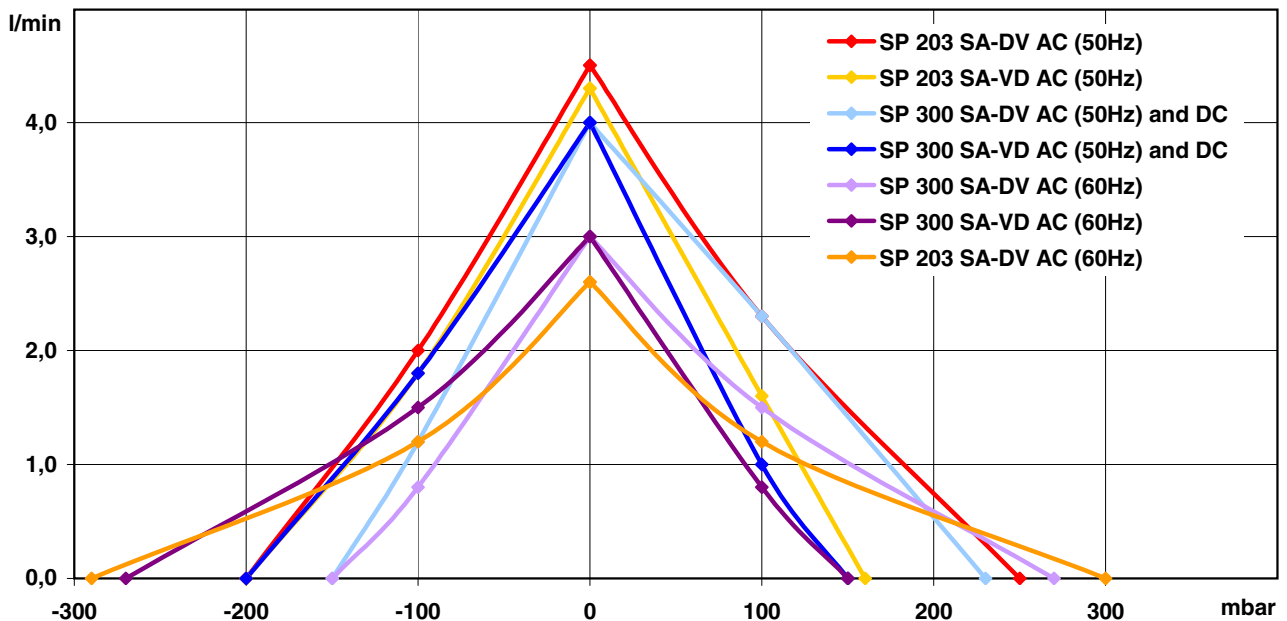


# SP 203 SA / 300 SA

These pumps are our standard models. For special requirements we are offering customised versions. Please contact us.

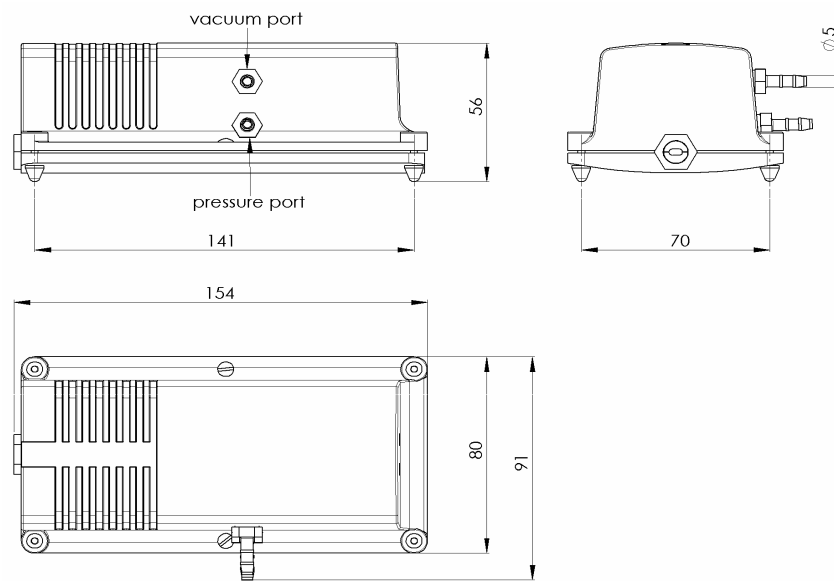
Designation	SP 203 SA-DV		SP 203 SA-VD		SP 300 SA-DV		SP 300 SA-VD	
	optimized Pressure Performance		optimized Vacuum Performance		optimized Pressure Performance		optimized Vacuum Performance	
Art.No. 230 V (50 Hz)	7s03030	7s03032	7s03031	7s03033	7s10000	7s10002	7s10001	7s10003
Art.No. 120 V (60 Hz)								
Art.No. 24 V (50 Hz)					7s10004		7s10005	
Art.No. 12 V (50 Hz)					7s10008		7s10009	
Art.No. 24 Vdc					7s10012		7s10013	
Art.No. 12 Vdc					7s10014		7s10015	
<b>Pneumatic Performance</b>								
Free Flow [l/min]	4,5	2,6	4,3	3,0	4,0	3,0	4,0	3,0
<b>flow at: Pressure Side</b>								
100 mbar [l/min]	2,3	1,5	1,6	1,5	2,3	1,5	1,0	0,8
max. Pressure [mbar]	250	300	160	250	230	270	150	150
<b>flow at: Vacuum Side</b>								
100 mbar [l/min]	2,0	1,2	1,8	1,1	1,2	0,8	1,8	1,5
max. Vacuum [mbar]	-200	-290	-200	-280	-150	-150	-200	-270
<b>Motor / Power Consumption</b>								
Motor Type	Electromagnetic				Electromagnetic			
Power Consumption	4 W				4 W			
<b>Construction</b>								
Diaphragm / Seal	EPDM				EPDM			
Valves	standard optional				CR -			
Weight [g]	500		500		415		415	

## Performance Curves





SP 203 SA



SP 300 SA

