



SP V 27 RO-D



SP V 12TV 27D RO-VD  
SP V 12TC 27FH RO-DV

### Product Features

- oil free
- maintenance free
- reduced vibrations
- low noise
- small size
- lightweight
- minimal current consumption

### Applications

- Blood Pressure Monitoring
- Industrial Applications

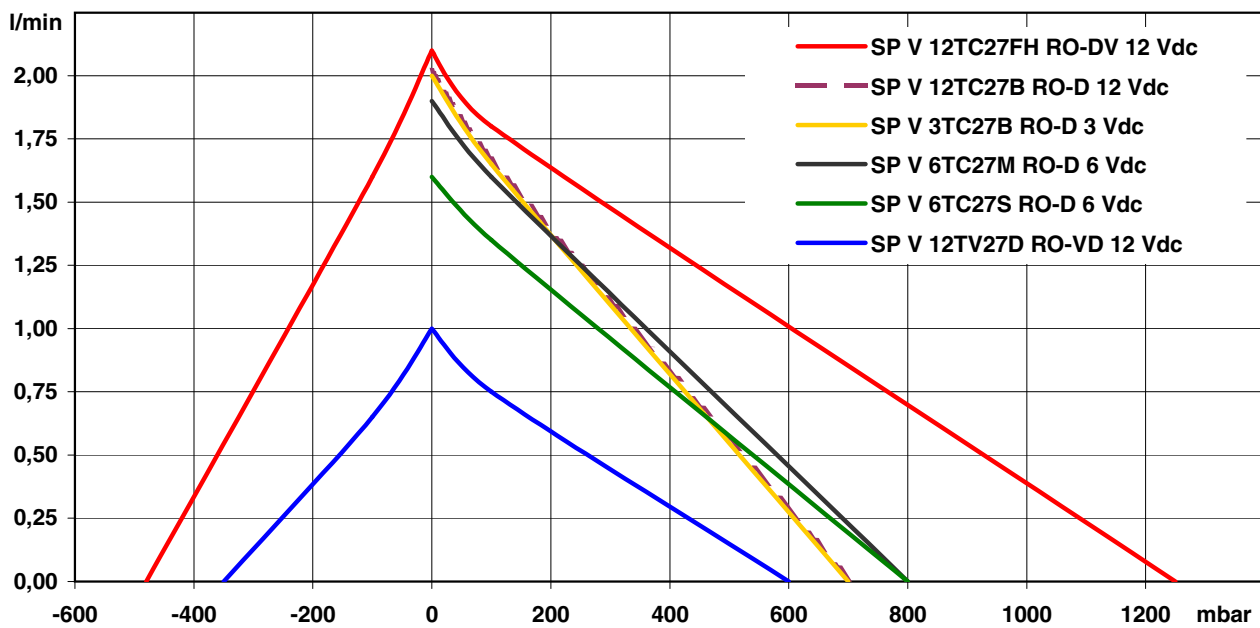


Designation	SP V 3TC27B RO-D	SP V 6TC27S RO-D	SP V 6TC27M RO-D	SP V 12TC27B RO-D	SP V 12TC27FH RO-DV	SP V 12TV27D RO-VD
Art.Nr.:	7k73050	7k73051	7k73052	7k73056	7k73061	7k73015
Main Application	Blood pressure				Industrial	
<b>Body</b>						
Body Size	Ø 27 mm x 58 mm					
Nozzle Length / Ø	6.3 mm / 4,2 mm					
Bearings	oiled					
Number of Nozzles	1 (outlet only)					2
Medium	Air					
<b>Motor</b>						
Motor speed	low / slow		medium		fast	-
Rated Voltage	3 Vdc	6 Vdc	6 Vdc	12 Vdc	12 Vdc	12 Vdc
Operational Voltage	2.0 - 4.5 Vdc	4.5 - 7.0 Vdc	4.5 - 7.0 Vdc	9.0 - 14.0 Vdc	9.0 - 14.0 Vdc	9.0 - 14.0 Vdc
<b>Performance</b>						
Free flow rate	2.0 l/min	1.6 l/min	1.9 l/min	2.0 l/min	2.1 l/min	1,0 l/min
Test Cycle	500cc from 0 to 300 mmHg at Rated Voltage					
Pressurizing Time at Test	max. 9.5 sec.	max. 12 sec.	max. 8.5 sec.	max. 8.0 sec.	n/a	n/a
Noise Level at Test (30 cm distance @ 200 - 300 mmHg)	max. 55 dB(A)	max. 53 dB(A)	max. 57 dB(A)	max. 55 dB(A)	n/a	n/a
Max. leak Rate at 300 mmHg / 500cc	2 mmHg/min	2 mmHg/min	2 mmHg/min	2 mmHg/min	n/a	n/a
Dead Head Pressure	525 mmHg	600 mmHg	600 mmHg	525 mmHg	1250 mbar	600 mbar
Dead Head Vacuum	-	-	-	-	-	350 mbar
Re-start voltage @ 200 mmHg up to 300 mmHg	max. 1.5 V	max. 3.0 V	max. 3.0 V	max. 6.0 V	n/a	n/a
Max. current at test cycle		300 mA	330 mA	200 mA	470 mA	
<b>Environmental Conditions</b>						
Operational Temp.	+5 - +45°C					
Operational Humidity	30%-80% rel. Hum.					
Storage Temperature	-20 - +70°C					
Storage Humidity	30%-80% rel. Hum.					
<b>Lifetime</b>						
Test cycle (lifetime)	500cc from 0 to 260 mmHg at Rated Voltage					
Specified Lifetime	300000 test cy.				n/a	n/a
MTBF	400000 cycles				n/a	n/a



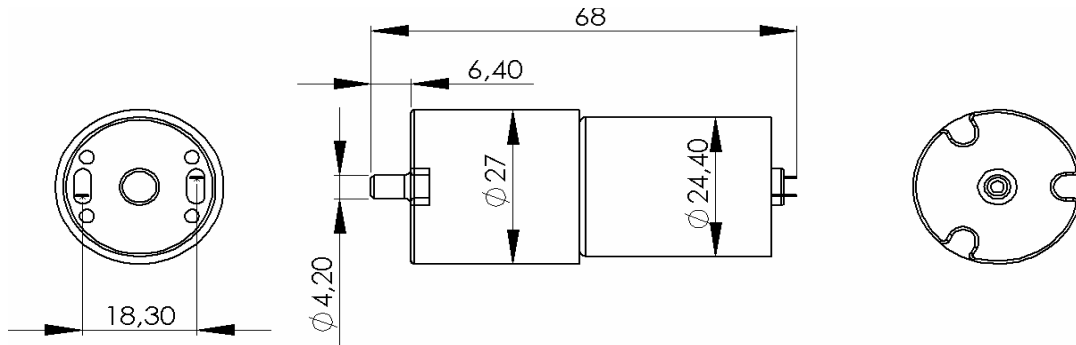
Designation	SP V 3TC27B RO-D	SP V 6TC27S RO-D	SP V 6TC27M RO-D	SP V 12TC27B RO-D	SP V 12TC27FH RO-DV	SP V 12TV27D RO-VD
Voltage Art.-No.	3 Vdc 7k73050	6 Vdc 7k73051	6 Vdc 7k73052	12 Vdc 7k73056	12 Vdc 7k73061	12 Vdc 7k73015
<b>Pneumatic Performance</b>						
Free Flow [l/min]	2,0	1,6	1,9	2,0	2,1	1,0
<b>flow at: Pressure Side</b>						
100 mbar [l/min]	1,65	1,35	1,60	1,65	1,80	0,75
max. Pressure [mbar]	700	800	800	700	1250	600
<b>flow at: Vacuum Side</b>						
-100 mbar [l/min]	-	-	-	-	1,6	0,65
max. Vacuum [mbar]	-	-	-	-	-480	-350
<b>Motor / Power Consumption</b>						
Motor Type	Iron Core					
<b>Construction</b>						
Pump Body Diaphragm Valves	ABS / POM EPDM NBR					
Weight [g]	62					62

Performance Curves





SP V 27 RO-D



SP V 27 RO-DV / SP V 27 RO-VD

