



SP V 6DC16A RO-DV
SP V 12DC16A RO-DV

Product Features

- oil free
- maintenance free
- reduced vibrations
- low noise
- small size
- lightweight
- minimal current consumption

Applications

- Blood Pressure Monitoring





Designation	SP V 6DC16A RO-DV	SP V 12DC16A RO-DV
Art.Nr.:	7k73023	7k73022
Main Application	Blood pressure monitoring	
Body		
Body Size	55,5 x 15,4 x 36,0 mm	
Nozzle Length / Ø	5,5 mm / 3,0 mm	
Number of Nozzles	2	
Medium	Air	
Performance		
Free flow rate	1500 ml/min	1500 ml/min
Test Cycle	500cc from 0 mmHg to 300 mmHg	500cc from 0 mmHg to 300 mmHg
Pressurizing Time at Test	n/a	max. 13,5 sec.
Noise Level at Test (30 cm distance from 200 - 300 mmHg)	n/a	max. 60 dB(A)
Max. leak Rate at 260 mmHg / 100cc	n/a	2 mmHg/min
Dead Head Pressure	550 mmHg	550 mmHg
Dead Head Vacuum	-	-
Re-start Volt. at 200 mmHg up to 300 mmHg	n/a	max. 4,0 V
Environmental Conditions		
Operational Temp.	+5 - +45°C	
Operational Humidity	30%-80% rel. Hum.	
Storage Temperature	-20 - +70°C	
Storage Humidity	30%-80% rel. Hum.	

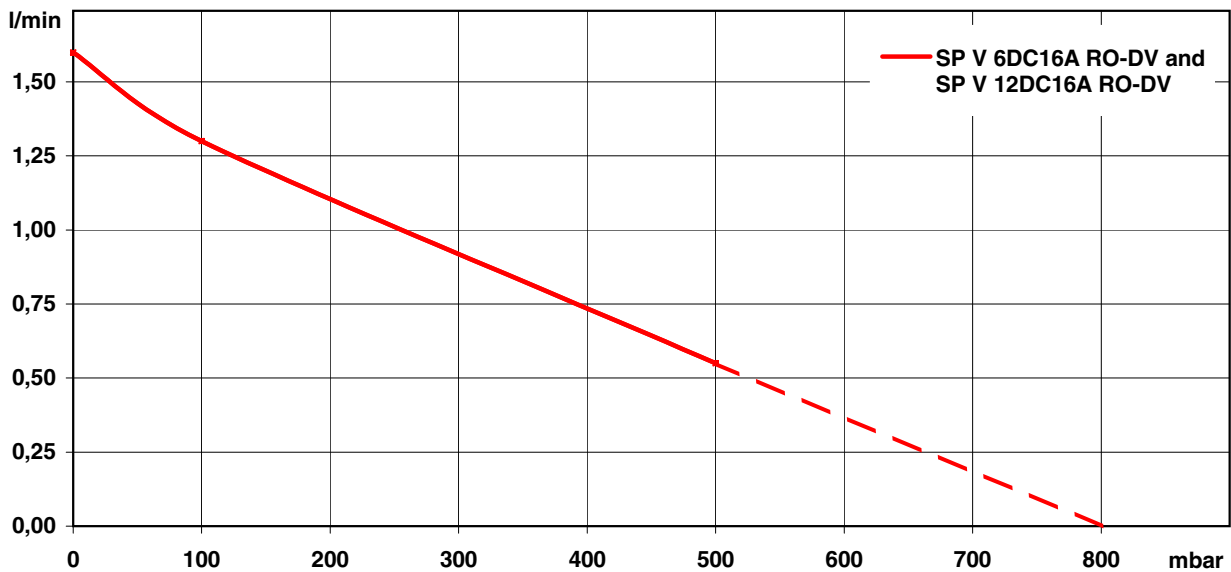


Designation	SP V 6DC16A RO-DV (A-Type*)	SP V 12DC16A RO-DV (A-Type*)
Voltage	6 Vdc	12 Vdc
Art.-No.	7k73023	7k73022
Pneumatic Performance		
Free Flow [l/min]	1,6	1,6
flow at: Pressure Side		
100 mbar [l/min]	1,3	1,3
max. Pressure [mbar]	800	800
flow at: Vacuum Side		
-50 mbar [l/min]	-	-
max. Vacuum [mbar]	(A-Type: only for pressure applications. C-Type: optimized for vacuum applications)	
Motor / Power Consumption		
Motor Type	Iron Core	
Power consumption		
Material		
Pump Body	ABS / POM	
Diaphragm	EPDM	
Valves	NBR	
Weight [g]	38,5	38,5

***Note:** Custom versions on request

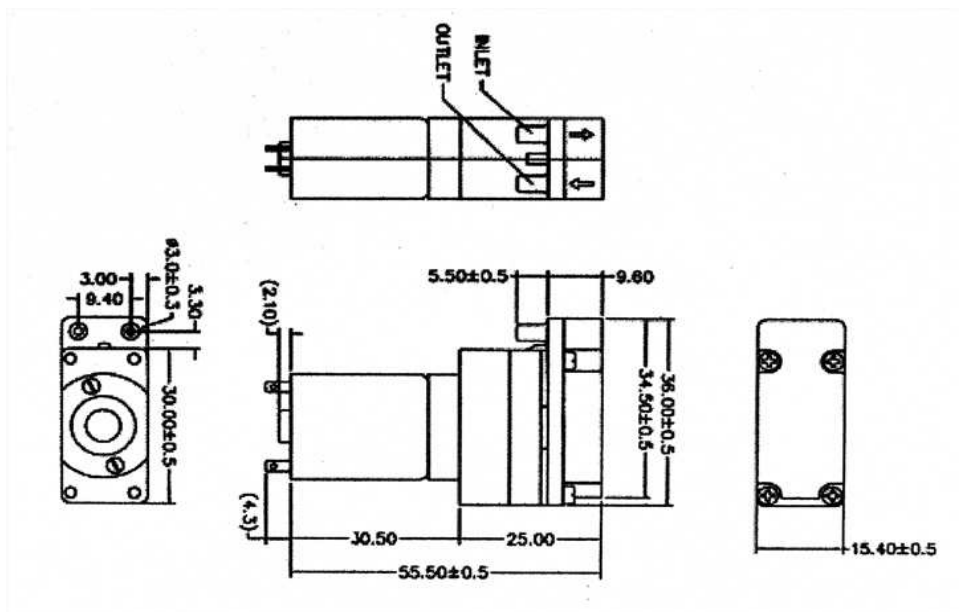
- A-Type: inlet and outlet nozzle, not suitable for vacuum applications
- B-Type: outlet nozzle only (in axial direction out of pump head)
- C-Type: optimized for vacuum applications, performance to be specified
- L-Type: equipped with longer motor, performance to be specified

Performance Curves





SP V 6DC16A RO-DV / SP V 12DC16A RO-DV (A-Type*)



***Note:** Custom versions on request

- A-Type: inlet and outlet nozzle, not suitable for vacuum applications
- B-Type: outlet nozzle only (in axial direction out of pump head)
- C-Type: optimized for vacuum applications, performance to be specified
- L-Type: equipped with longer motor, performance to be specified