



SP 135 FZ  
SP 140 FZ

#### Product Features

- micro vane pump for air and gas
- applicable as vacuum pump or pressure pump
- electric motor driven
- available in various voltages
- minimal current consumption
- linear characteristic
- oil free / maintenance free
- reduced vibrations
- low noise
- extremely small pocket size
- lightweight (13,5 g)

#### Applications

- Gas sampler / gas measurement / gas metering
- Portable gas detector pump for safety devices
- Patient monitoring / patient analysers
- Personal Gas Detector / Gas Monitor
- Exhaust gas analyser
- Pneumatics
- Pipetting devices
- Fuel cells



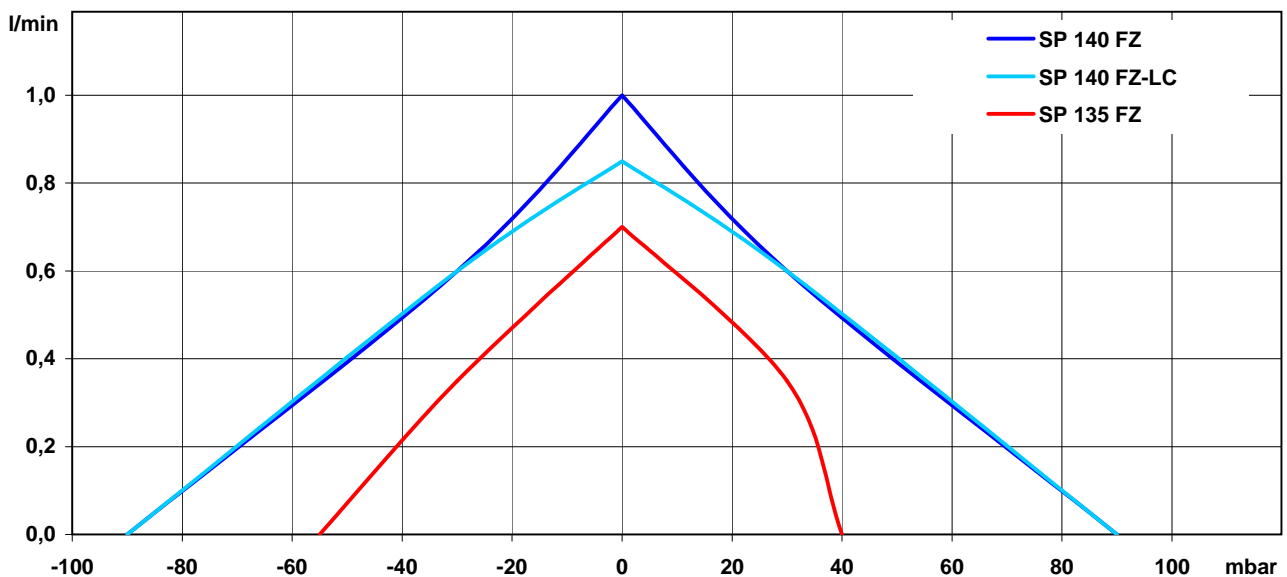
# SP 135 FZ / 140 FZ

These pumps are our standard models. For special requirements we are offering customised versions. Please contact us!

Designation	SP 135 FZ		SP 140 FZ-LC		SP 140 FZ		
Operating Voltage Art.-No.	3 Vdc 7s60044	4,5 Vdc 7s60045	3 Vdc 7s60040	4,5 Vdc 7s60041	4,5 Vdc 7s60085	6 Vdc 7s60083	12 Vdc 7s60084
<b>Pneumatic Performance *</b>							
Free Flow [l/min]	0,7	0,7	0,85	0,85	1,0	1,0	1,0
<b>flow at:</b>							
30 mbar [l/min]	0,35	0,35	0,6	0,6	0,60	0,60	0,60
max. Pressure [mbar]	40	55	90	90	90	90	90
<b>flow at:</b>							
-30 mbar [l/min]	0,35	0,35	0,6	0,6	0,60	0,60	0,60
max. Vacuum [mbar]	-55	-55	-90	-90	-90	-90	-90
<b>Motor / Power Consumption</b>							
Motor Type	Skew Wound DC		Iron Core		Skew Wound DC		
max. Current [mA]	130	90	250	130	180	170	150
<b>Construction</b>							
Body and moving parts	Resin bound Graphite and Tecapeek						
Weight [g]	12,3		12,3		13,5		

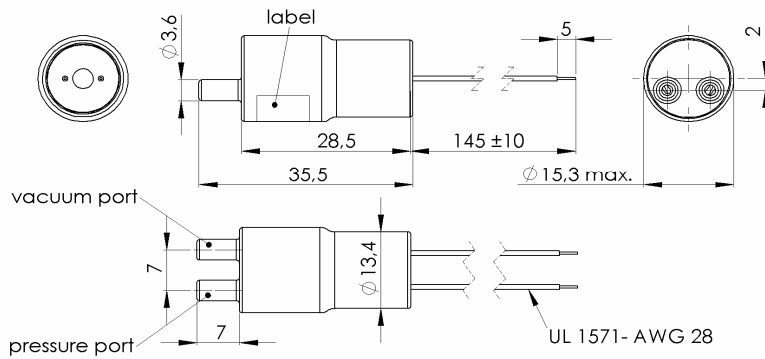
\* Note: 10 µm filtration required at pump inlet for optimal performance! .ump inlet for optimal performance!

## Performance Curve





**SP 135 FZ / 140 FZ**



**SP 140 FZ-LC**

