



SP V 770 EC (DC)



SP V 770 EC-BL



SP V 770 EC (AC)

Product Features

- oil free
- maintenance free
- reduced vibrations
- low noise
- small size
- lightweight
- minimal current consumption

Applications

- Autoclaves
- Medical Applications
- Stationary Gas Monitoring
- Pneumatics
- Industrial Applications



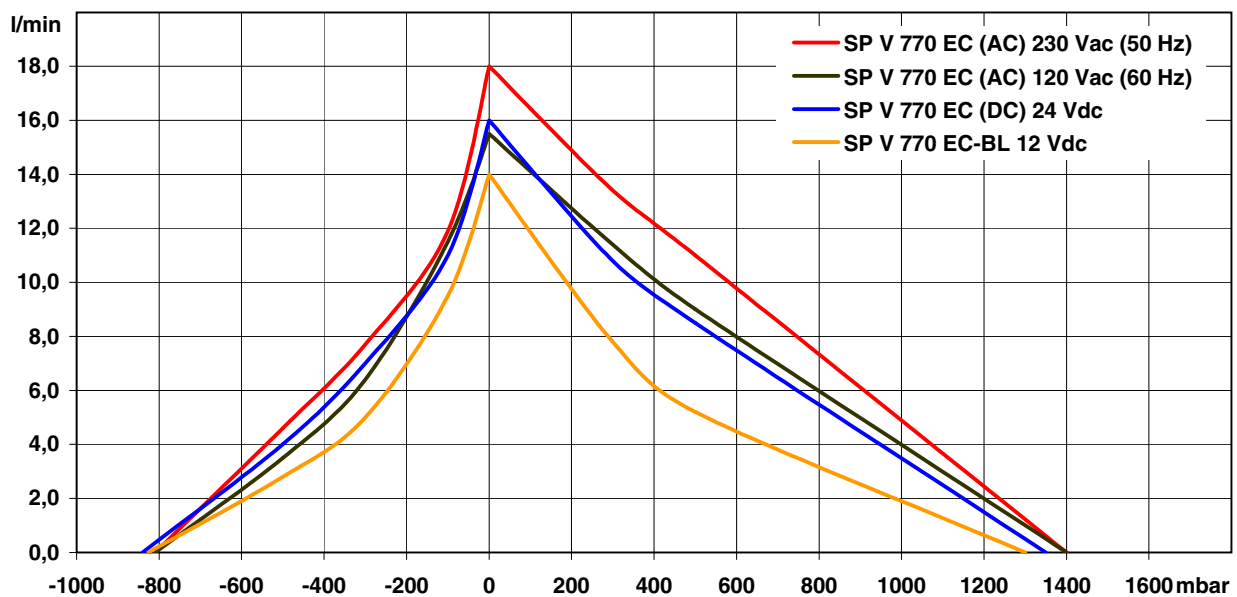
Schwarzer
Precision



These pumps are our standard models. For special requirements we are offering customised versions. Please contact us.

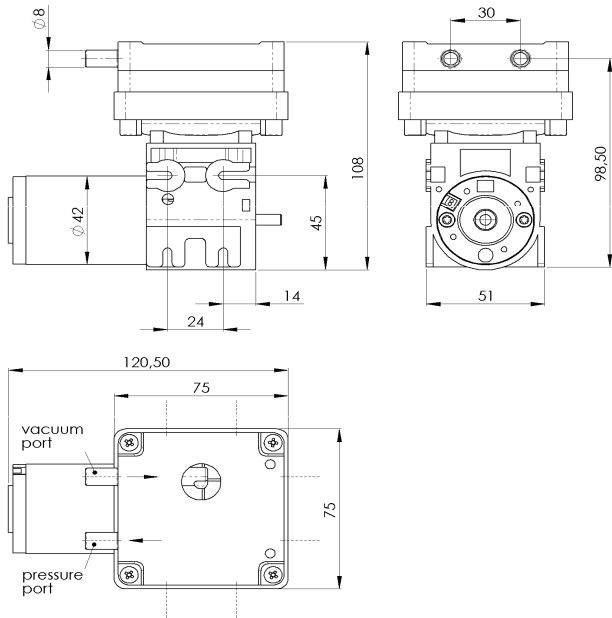
Designation	SP V 770 EC (DC)		SP V 770 EC-BL		SP V 770 EC (AC)	
Operating Voltage	12 Vdc	24 Vdc	12 Vdc	24 Vdc	230 Vac (50 Hz)	120 Vac (60 Hz)
Art.No.	7e53053	7e53052	7e53064	7e53065	7e53050	7e53051
Pneumatic Performance						
Free Flow [l/min]	16,0	16,0	14,0	14,0	18,0	15,5
flow at:						
300 mbar [l/min]	10,8	10,8	7,8	7,8	13,4	11,4
500 mbar [l/min]	8,5	8,5	5,2	5,2	11,0	9,0
max. Pressure [mbar]	1350	1350	1300	1300	1400	1400
flow at:						
-300 mbar [l/min]	7,0	7,0	5,0	5,0	7,7	6,4
max. Vacuum [mbar]	-840	-840	-826	-826	-810	-810
Motor / Power Consumption						
Motor Type	Iron Core DC		Brushless DC		Shaded Pole	
Current at Run [mA]	2300	1400	1200	1200	550	1150
Current at Start [mA]	-	-	1500	1500	-	-
Power consumption [W]	-	-	-	-	73	73
Construction						
Pump Head standard	PPS		PPS		PPS	
optional	Nylon		-		Nylon	
Diaphragm standard	EPDM		FKM		EPDM	
optional	FKM		-		FKM	
Valves standard	FKM		FKM		FKM	
optional	-		-		-	
Seal standard	Silicone		Silicone		Silicone	
optional	FKM		-		FKM	
IP Protection	-		IP 30		-	
Insulation Class	-		Class E		-	
Weight [g]	685		580		1000	

Performance Curves

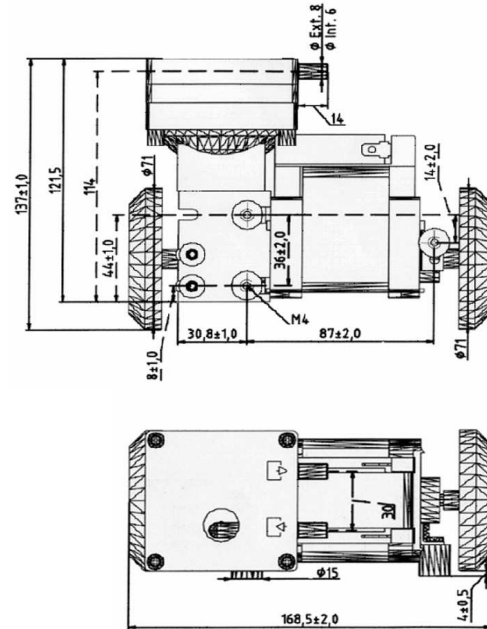




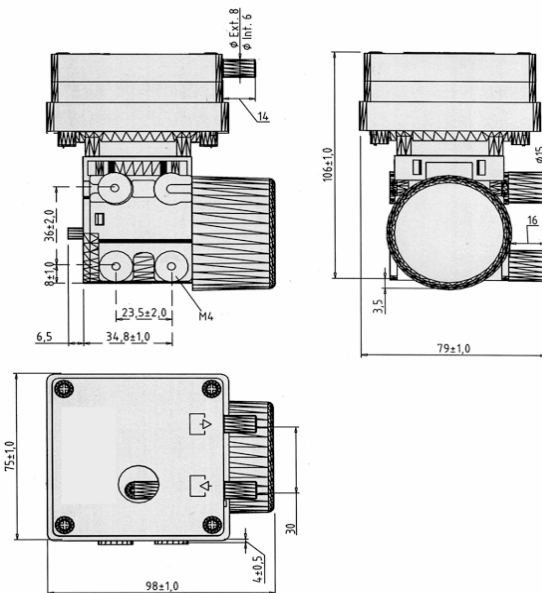
SP V 770 EC (DC)



SP V 770 EC (AC)



SP V 770 EC-BL



Standard: connection ports as shown.
Optional: 3 other port positions possible (see dashed lines)