

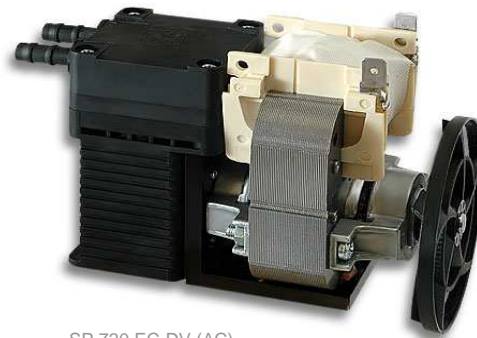


Eccentric Diaphragm Pumps for Gas / Air

SP 720 EC / 725 EC / 725 EC-TH



SP 720 EC-DV (DC)
SP 725 EC-DV (DC)



SP 720 EC-DV (AC)



SP 725 EC-TH-DV (DC)

Product Features

- optimized for pressure applications
- oil free
- maintenance free
- reduced vibrations
- low noise
- small size
- lightweight
- minimal current consumption
- longevity
- high restart capacity

Applications

- Autoclaves
- Autosamplers
- Air Brush
- Gas Detectors
- Pneumatics
- Industrial Applications
- Medical Applications
- Blood Pressure Monitoring
- Anaesthesia Equipment
- Exhaust Gas Analysers
- Pipetting Devices



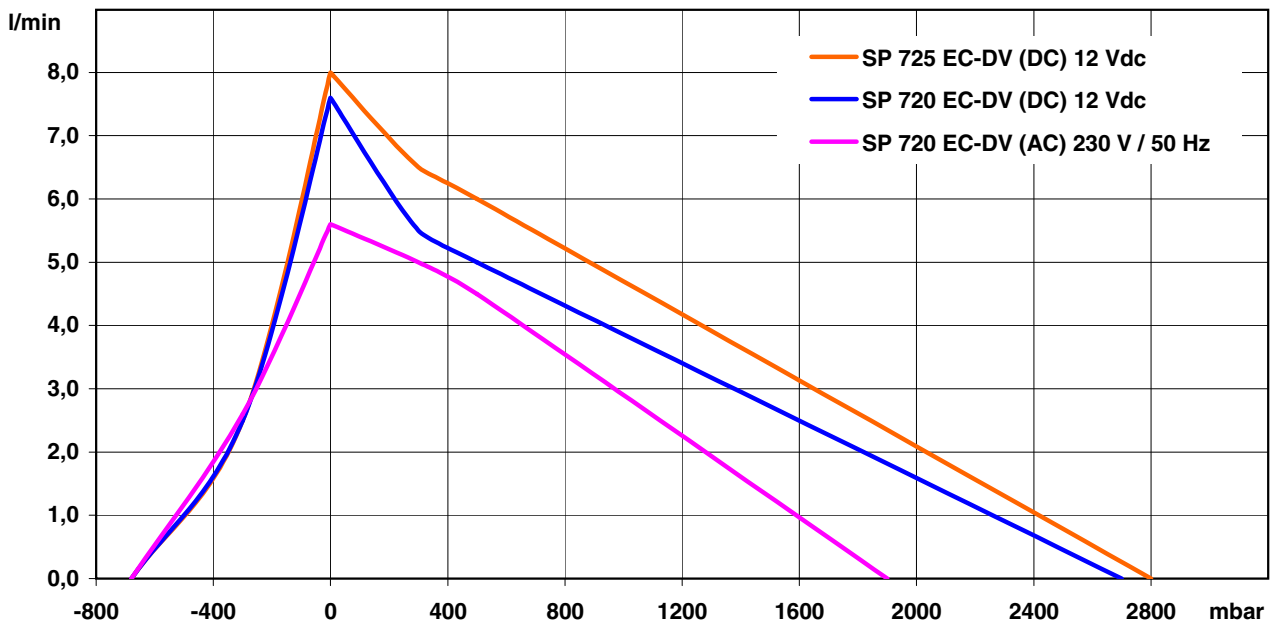


SP 720 EC / 725 EC / 725 EC-TH

The pumps listed below represent a typical selection of our wide range of eccentric pumps and are intended for initial tests. Customised versions for your individual application would be made without extra costs - please contact us!

Designation	SP 720 EC-DV (AC)	SP 720 EC-DV (DC)		SP 725 EC-DV (DC)	
Operating Voltage	230 V / 50 Hz	12 Vdc	24 Vdc	12 Vdc	24 Vdc
Art.No.	7s54080	7s54002	7s54003	7s54014	7s54015
Pneumatic Performance					
Free Flow [l/min]	5,6	7,6		8,0	
flow at: Pressure Side					
300 mbar [l/min]	5,0	5,5		6,5	
500 mbar [l/min]	4,5	5,0		6,0	
max. Pressure [mbar]	1900	2700		2800	
flow at: Vacuum Side					
-300 mbar [l/min]	2,6	2,5		2,5	
max. Vacuum [mbar]	-680	-680		-680	
Although the pumps are able to produce vacuum above -400 mbar, it is not recommended to exceed this limit!					
Motor / Power Consumption					
Motor Type	standard Shaded Pole	optional Iron Core DC / Double Ball Bearings Electromagnetic Suppression Brushless DC Motors			
max. Current [mA]	39 W	1900	900	2000	900
Construction					
Pump Head	standard optional	PPS customer specific - upon request			
Valves	standard optional	EPDM FKM			
Weight [g]	858	570		570	

Performance Curves



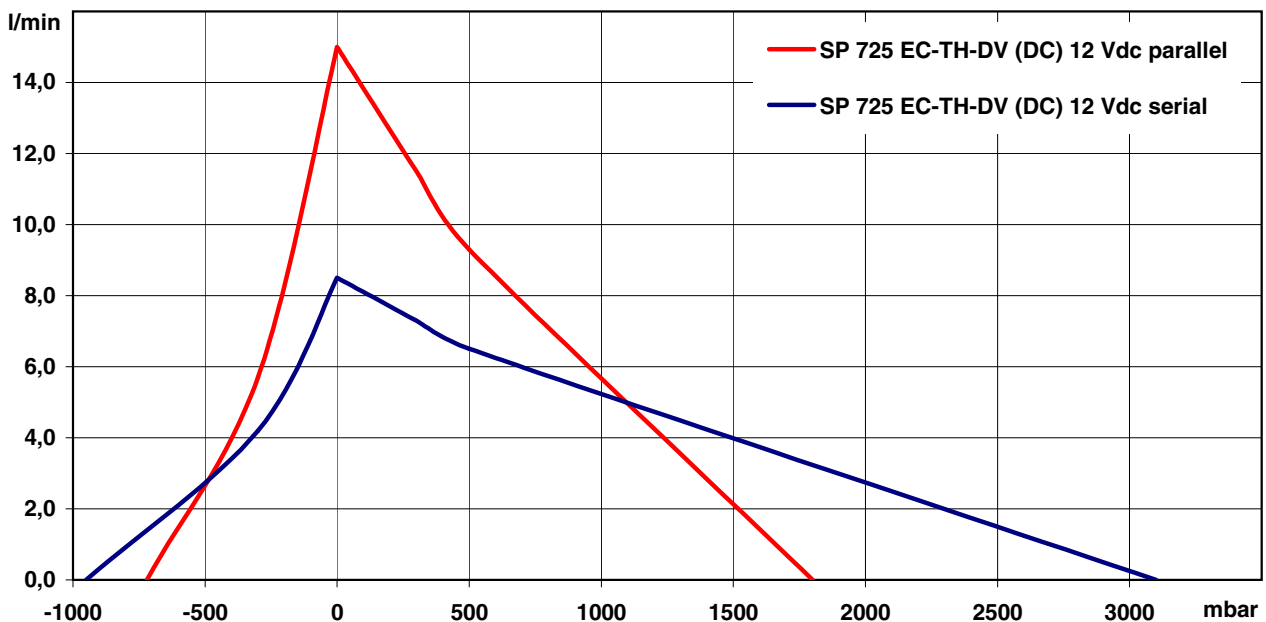


SP 720 EC / 725 EC / 725 EC-TH

The pumps listed below represent a typical selection of our wide range of eccentric pumps and are intended for initial tests. Customised versions for your individual application would be made without extra costs - please contact us!

Designation		SP 725 EC-TH-DV (DC)			
Operating Voltage		12 Vdc		24 Vdc	
Art.No.		7s54070		7s54071	
Pneumatic Performance					
Free Flow [l/min]		serial 8,5	parallel 15,0	serial 8,5	parallel 15,0
flow at:					
300 mbar [l/min]		7,3	11,5	7,3	11,5
500 mbar [l/min]		6,5	9,3	6,5	9,3
max. Pressure [mbar]		3100	1800	3100	1800
flow at:					
-300 mbar [l/min]		4,2	5,7	4,2	5,7
max. Vacuum [mbar]		-950	-720	-950	-720
Motor / Power Consumption					
Motor Type	standard optional	Iron Core DC Motor with Double Ball Bearings and electromagnetic Suppression 230V / 50Hz or 120V / 60Hz Shaded Pole Motors			
max. Current [mA]		1500	1900	900	1100
Construction					
Pump Head	standard optional	PPS customer specific - upon request			
Valves		FKM			
Diaphragm	standard optional	EPDM FKM			
Weight [g]		850			

Performance Curves



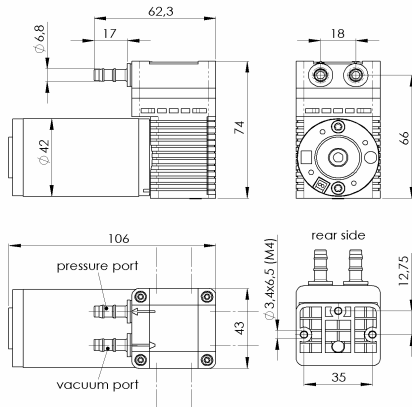


Eccentric Diaphragm Pumps for Gas / Air

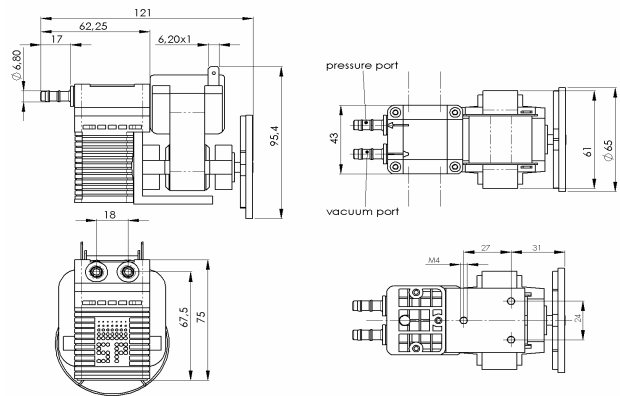
SP 720 EC / 725 EC / 725 EC-TH

Standard: connection ports as shown. Optional: 2 or 3 other port positions possible (see dashed lines)
Standard: nozzles for tube. Optional: female screw thread 1/8" or customized connectors

SP 720 EC-DV (DC) / 725 EC-DV (DC)



SP 720 EC-DV (AC)



SP 725 EC-TH-DV (DC)

