

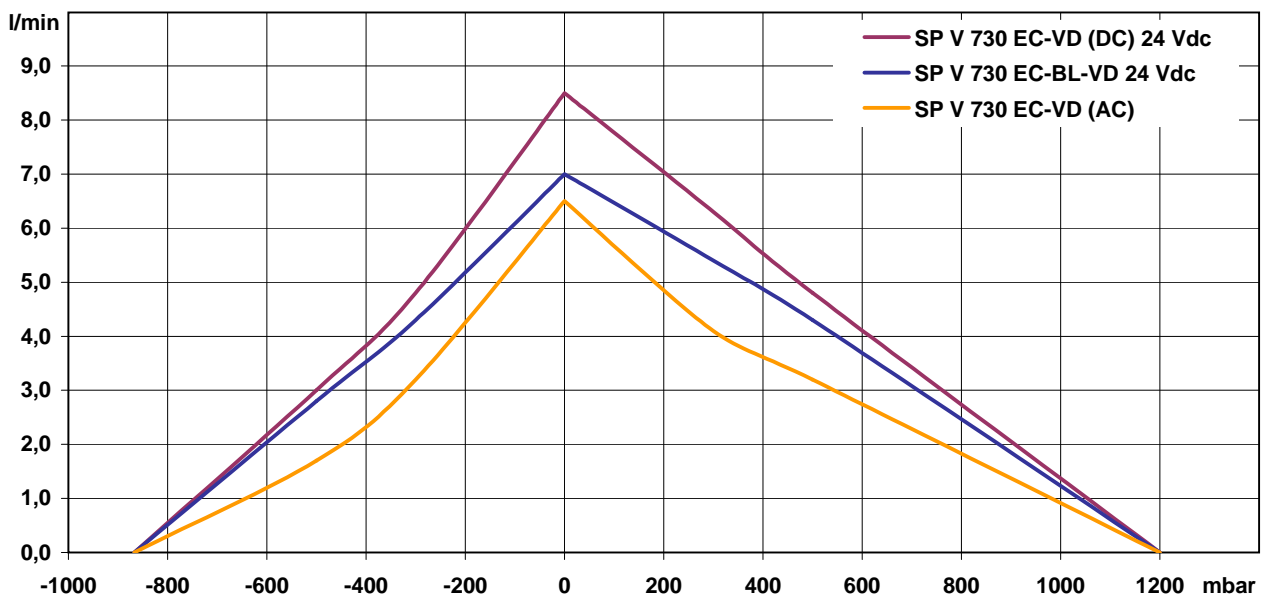


SP 700 EC / 730 EC

These pumps are our standard models. For special requirements we are offering customised versions. Please contact us.

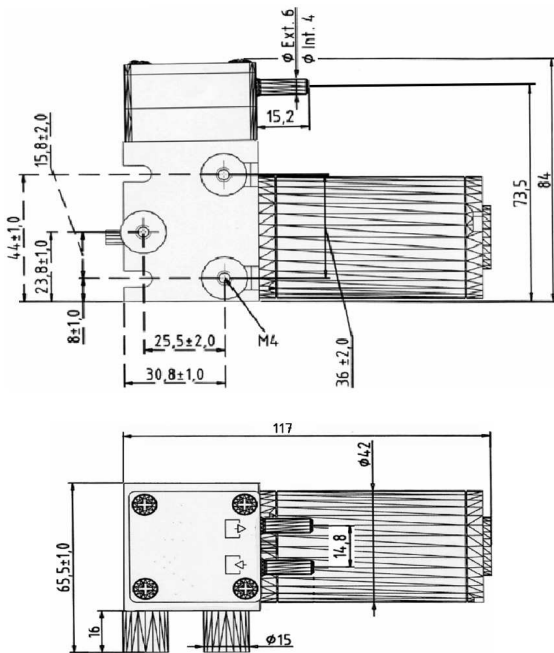
Designation	SP V 730 EC-VD (DC)		SP V 730 EC-BL-VD		SP V 730 EC-VD (AC)		
Operating Voltage	12 Vdc	24 Vdc	12 Vdc	24 Vdc	24 V (50-60 Hz)	120 V (60 Hz)	230 V (50 Hz)
Art.No.	7e53044	7e53045	7e53028	7e53029	7e53046	7e53047	7e53048
Pneumatic Performance							
Free Flow [l/min]	8,5	8,5	7,0	7,0	6,5		
flow at:	Pressure Side						
500 mbar [l/min]	4,8	4,8	4,3	4,3	3,2		
300 mbar [l/min]	6,3	6,3	5,4	5,4	4,1		
max. Pressure [mbar]	1200	1200	1200	1200	1200		
flow at:	Vacuum Side						
-300 mbar [l/min]	4,8	4,8	4,3	4,3	3,2		
max. Vacuum [mbar]	-867	-867	-867	-867	-867		
Motor / Power Consumption							
Motor Type	Iron Core DC		Brushless DC		Shaded Pole		
Current at Run [mA]	700	400	600	400	300		
Current at Start [mA]	1300	700	1200	900	-		
Power consumption [W]	-	-	-	-	66		
Construction							
Pump Head standard	PPS						
optional	-						
Diaphragm standard	PPM		FKM		PPM		
optional	-		-		-		
Valves standard	PPM		FKM		PPM		
optional	-		-		-		
Seal standard	EPDM						
optional	-						
IP-Protection	IP 20		IP 30		IP 00		
Insulation Class	Class E		Class E		Class B		
Thermal Switch	-		-		120°C		
Weight [g]	580		460		960		

Performance Curves

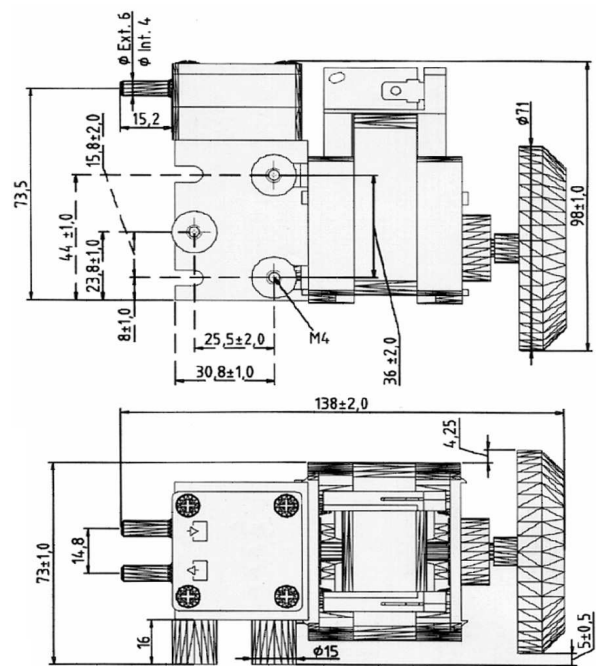




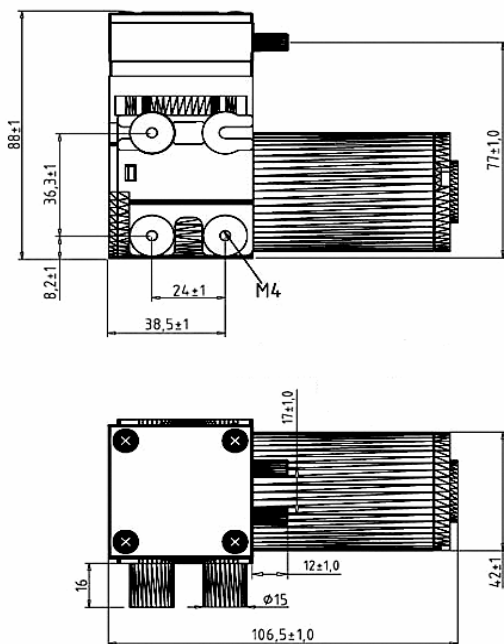
SP V 700 EC-VD (DC)



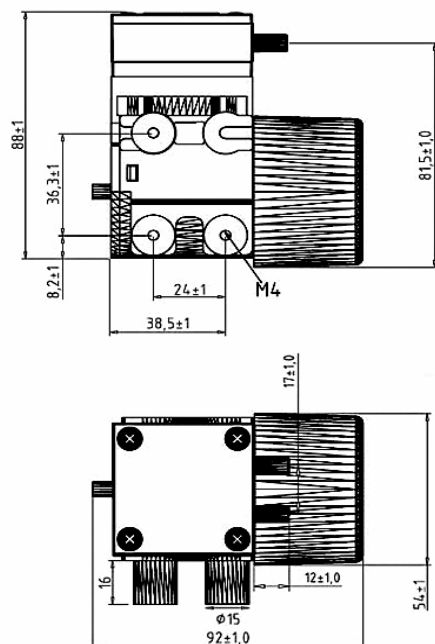
SP V 700 EC-VD (AC)



SP V 730 EC-VD (DC)



SP V 730 EC-BL-VD



Standard: connection ports as shown.
Optional: 3 other port positions possible (see dashed lines) and threaded ports (M8)