



SP 680 EC



SP 680 EC-LC

Product Features

- oil free
- maintenance free
- reduced vibrations
- low noise
- small size
- lightweight
- minimal current consumption

Applications

- Air Brush
- Gas Detectors
- Pneumatics
- Industrial Applications



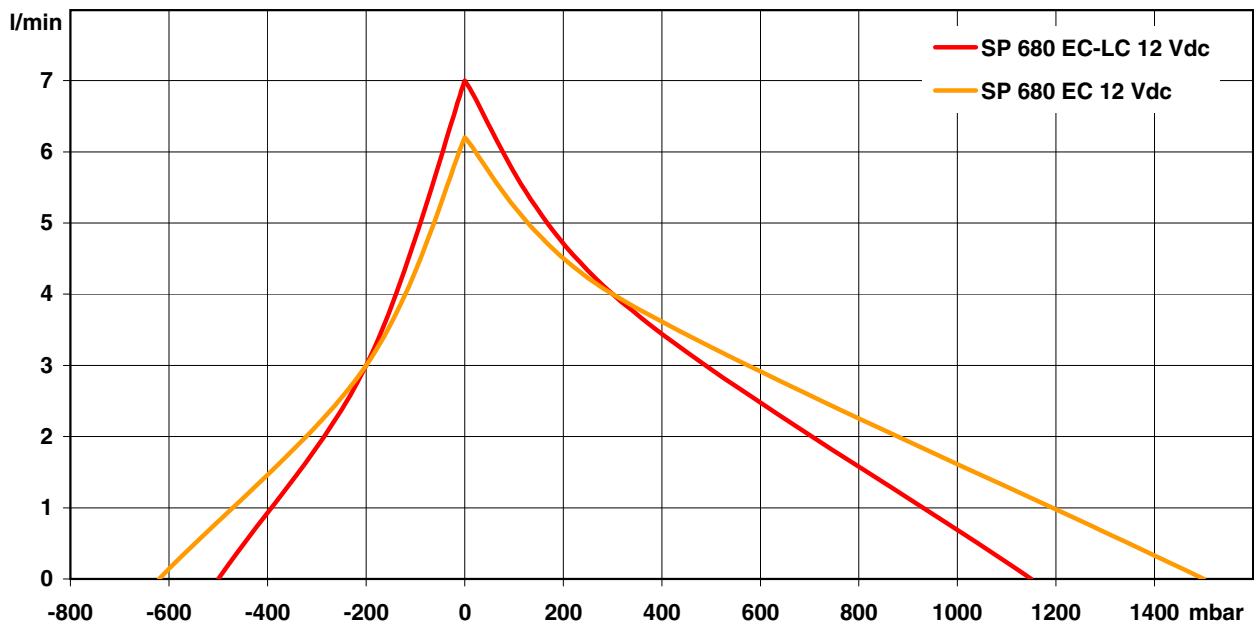
Schwarzer
Precision



The pumps listed below represent a typical selection of our wide range of eccentric pumps and are intended for initial tests. Customised versions for your individual application would be made without extra costs - please contact us!

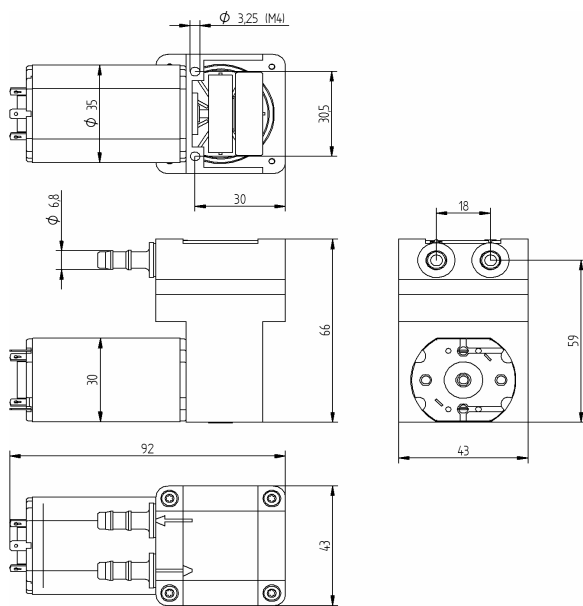
Designation	SP 680 EC-LC		SP 680 EC	
Operating Voltage Art.No.	12 Vdc 7s52083	24 Vdc 7s52084	12 Vdc 7s52076	24 Vdc 7s52077
Pneumatic Performance				
Free Flow [l/min]	7,0	6,6	6,2	5,0
flow at:	Pressure Side			
300 mbar [l/min]	4,0	3,6	4,0	2,9
max. Pressure [mbar]	1150	1200	1500	1200
flow at:	Vacuum Side			
-200 mbar [l/min]	3,0	2,6	3,0	2,4
max. Vacuum [mbar]	-500	-600	-620	-540
Motor / Power Consumption				
Motor Type	Low Cost Iron Core DC		Iron Core DC with electromagnetic suppression brushless	
standard				
optional	-			
max. Current [mA]	1000	520	750	400
Construction				
Pump Head	PPS customer specific - upon request			
standard				
optional				
Diaphragm, Valves	EPDM / Silicone FKM			
standard				
optional				
Weight [g]	265		254	

Performance Curves





SP 680 EC-LC



SP 680 EC

