



SP 620 EC-BL-DU



SP 622 EC-BL-DU

Product Features

- delivers two different media at the same time
- oil free
- maintenance free
- minimum vibrations
- reduced pulsation
- low noise
- small size
- high flow
- lightweight
- minimal current consumption
- virtually leak tight

Applications

- Blood Pressure Monitoring
- Anaesthesia Equipment
- Exhaust Gas Analysers
- Gas Detectors
- Autosamplers
- Pipetting Devices
- Pneumatics



Schwarzer
Precision



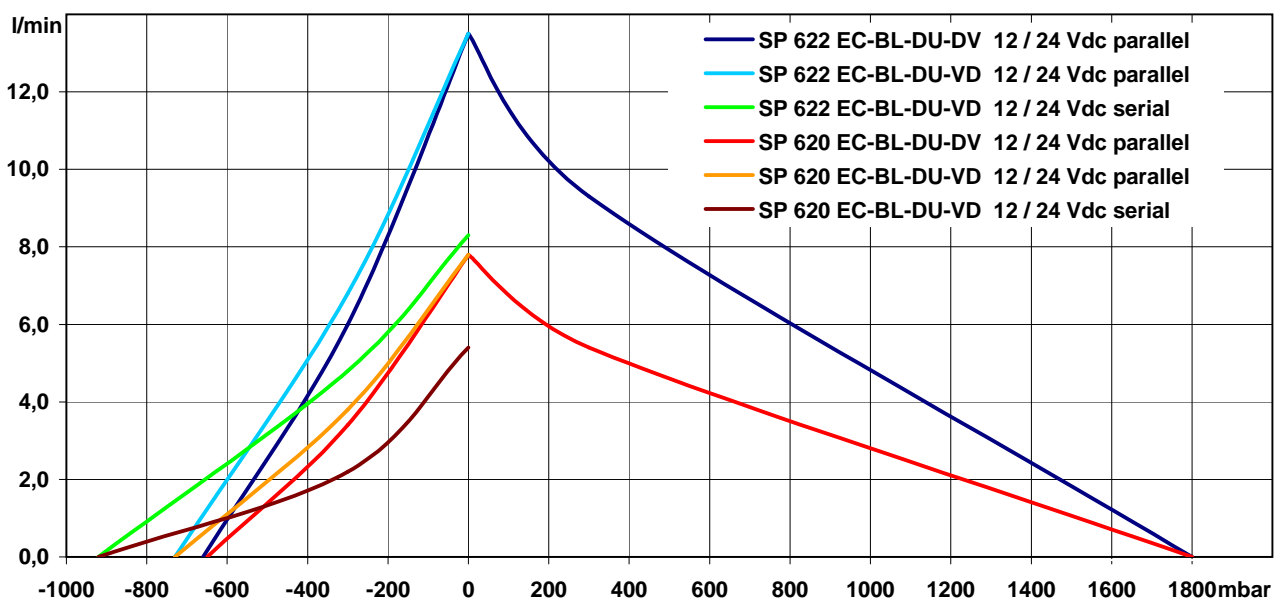
SP 620 / 622 EC-BL-DU

The pumps listed below represent a typical selection of our wide range of eccentric pumps and are intended for initial tests. Customised versions for your individual application would be made without extra costs - please contact us!

Note: In order to achieve highest life time, we offer different diaphragm designs. Please inform us about your application.

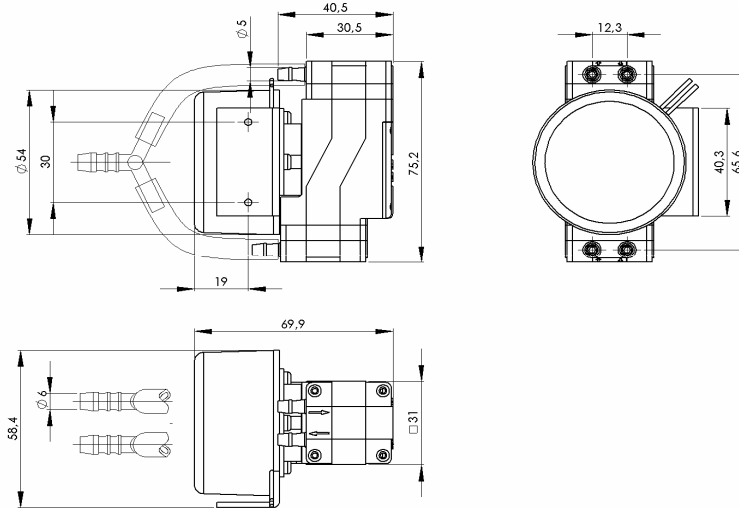
Designation	SP 620 EC-BL-DU-DV		SP 620 EC-BL-DU-VD		SP 622 EC-BL-DU-DV		SP 622 EC-BL-DU-VD		
Operating Voltage	12 Vdc	24 Vdc	12 Vdc	24 Vdc	12 Vdc	24 Vdc	12 Vdc	24 Vdc	
Art.No. (parallel)	7s57261	7s57262	7s57265	7s57266	7s57093	7s57094	7s57090	7s57091	
Art.No. (serial)	-	-	7s57263	7s57264	-	-	7s57125	7s57126	
Pneumatic Performance									
Free Flow [l/min]	parallel 7,8		serial / parallel 5,4 / 7,8		parallel 13,5		serial / parallel 8,3 / 13,5		
flow at: Pressure Side									
300 mbar [l/min]	5,4		-		9,3		-		
max. Pressure [mbar]	1800		-		1800		-		
flow at: Vacuum Side									
-300 mbar [l/min]	3,4		2,2 / 3,8		6,0		4,8 / 6,8		
max. Vacuum [mbar]	-650		-920 / -730		-660		-920 / -730		
Motor / Power Consumption									
Motor Type	standard	long life brushless with ball bearings, 2 wire version (analog input)				long life brushless with ball bearings, 4 wires (analog or PWM control input)			
	optional	4 wire version (analog or PWM control input) with hall sensors for external electronics				with hall sensors for external electronics			
max. Current [mA]		800	500	800	500	1500	750	1500	750
Construction									
Pump Head	standard	PPS				PPS			
	optional	customer specific - upon request				customer specific - upon request			
Diaphragm, Valves	standard	EPDM				EPDM			
	optional	FKM, FFKM, PTFE				FKM, FFKM, PTFE			
Tubing		PUR				PUR			
Weight [g]		315				203			

Performance Curves

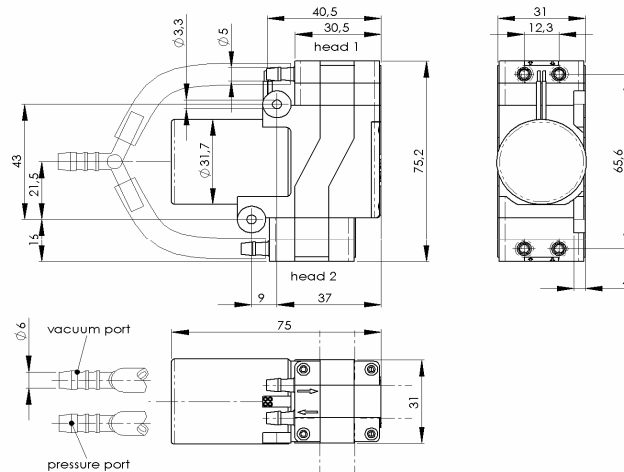




SP 620 EC-BL-DU



SP 622 EC-BL-DU



Standard: connection ports as shown.
Optional: 3 other port positions possible (see dashed lines)

