



SP 620 EC-BL



SP 622 EC-BL

Product Features

- brushless motor
- very long lifetime (> 10.000 h)
- oil free
- maintenance free
- reduced vibrations
- low noise
- small size
- high flow
- lightweight
- minimal current consumption
- virtually leak tight

Applications

- Anaesthesia Equipment
- Stationary Gas Monitoring
- Exhaust Gas Analysers
- Medical Applications



Schwarzer
Precision

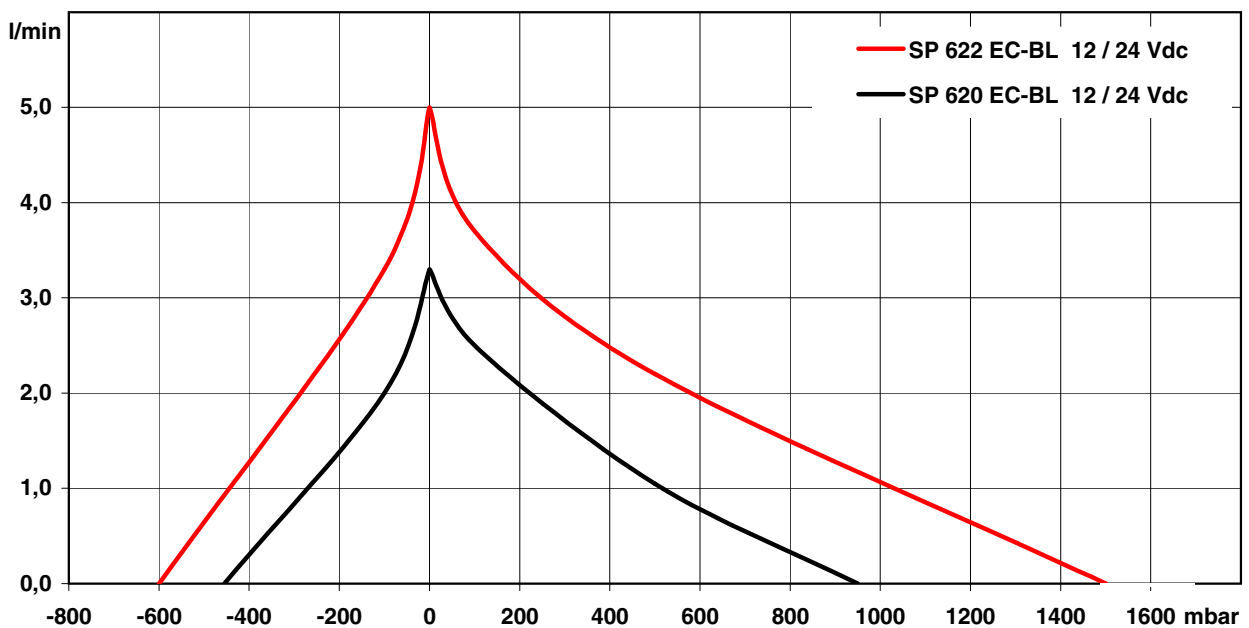


SP 620 EC-BL / 622 EC-BL

The pumps listed below represent a typical selection of our wide range of eccentric pumps and are intended for initial tests. Customised versions for your individual application would be made without extra costs - please contact us!

Designation	SP 620 EC-BL		SP 622 EC-BL	
Operating Voltage	12 Vdc	24 Vdc	12 Vdc	24 Vdc
Art.No.	7s57012	7s57011	7s57059	7s57060
Pneumatic Performance				
Free Flow [l/min]	3,3		5,0	
flow at:	Pressure Side			
100 mbar [l/min]	2,5		3,7	
max. Pressure [mbar]	950		1500	
flow at:	Vacuum Side			
-100 mbar [l/min]	2,0		3,3	
max. Vacuum [mbar]	-455		-600	
Motor / Power Consumption				
Motor Type	Long Life Brushless		Long Life Brushless	
max. Current [mA]	420	210	500	250
Construction				
Pump Head	standard optional	PPS customer specific - upon request		
Diaphragm, Valves	standard optional	EPDM FKM / FFKM / PTFE		
Weight [g]	260		170	

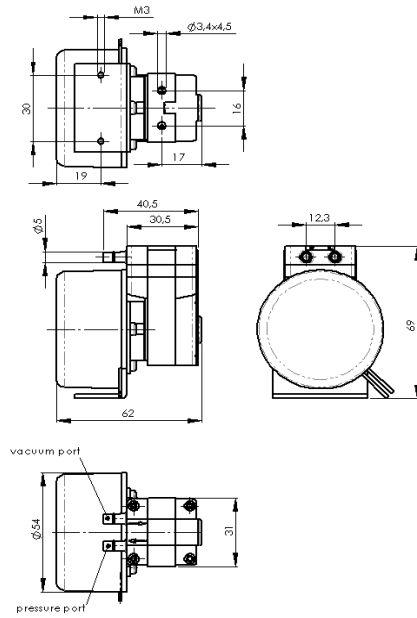
Performance Curves



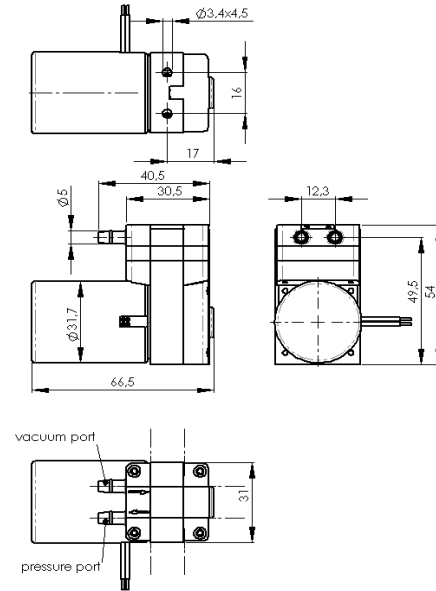
Schwarzer
Precision



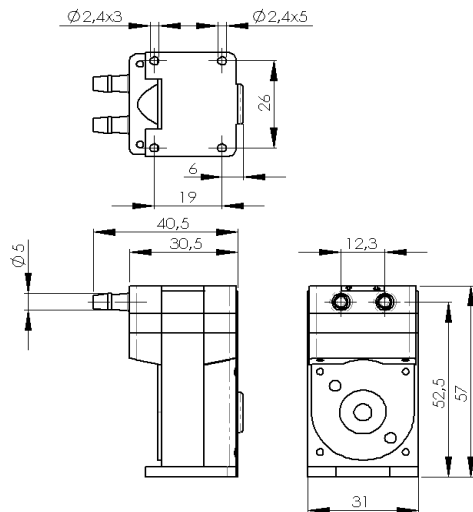
SP 620 EC-BL



SP 622 EC-BL



optional mounting plate



Standard: connection ports as shown
Optional: 3 other port positions possible (see dashed lines)

