



Eccentric Diaphragm Pumps for Gas / Air SP 620 / 622 / 625 / 628 EC-DU



SP 620 EC-DU



SP 622 EC-BL-DU



SP 625 EC-LC-DU



SP 628 EC-DU

Product Features

- delivers two different media at the same time
- oil free
- maintenance free
- minimum vibrations
- reduced pulsation
- low noise
- small size
- high flow
- lightweight
- minimal current consumption
- virtually leak tight

Applications

- Blood Pressure Monitoring
- Anaesthesia Equipment
- Exhaust Gas Analysers
- Gas Detectors
- Autosamplers
- Pipetting Devices
- Pneumatics



Schwarzer
Precision



SP 620 / 622 / 625 / 628 EC-DU

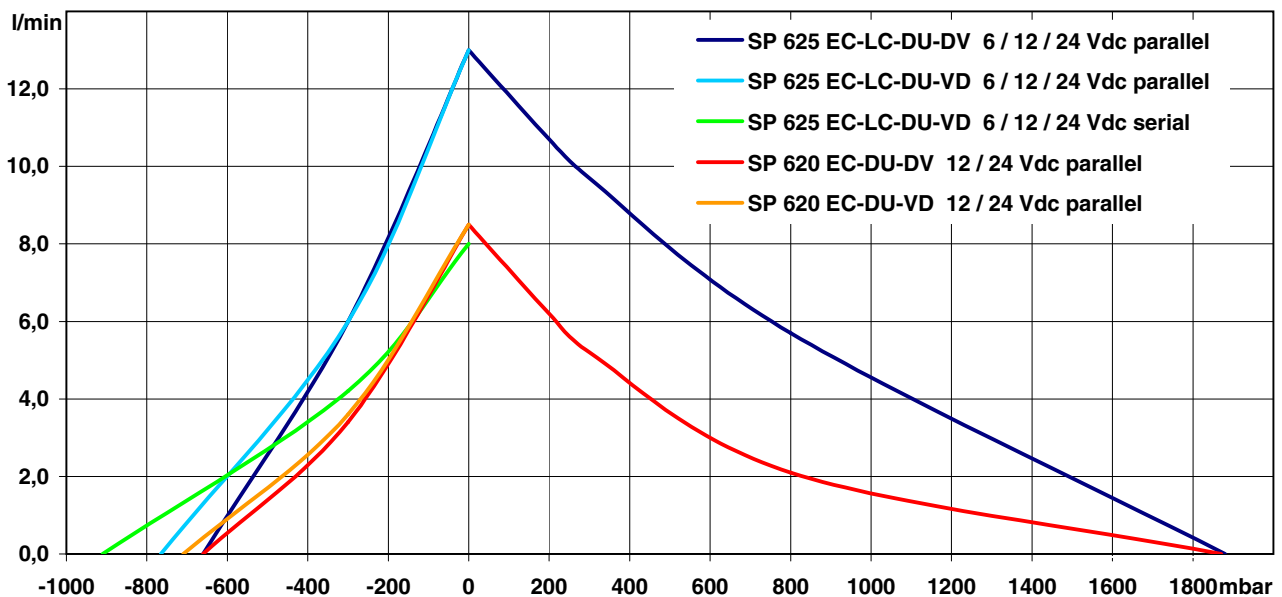
The pumps listed below represent a typical selection of our wide range of eccentric pumps and are intended for initial tests.

Customised versions for your individual application would be made without extra costs - please contact us!

Note: In order to achieve highest life time, we offer different diaphragm designs. Please inform us about your application.

Designation	SP 620 EC-DU-DV		SP 620 EC-DU-VD		SP 625 EC-LC-DU-DV			SP 625 EC-LC-DU-VD			
Operating Voltage	12 Vdc	24 Vdc	12 Vdc	24 Vdc	6 Vdc	12 Vdc	24 Vdc	6 Vdc	12 Vdc	24 Vdc	
Art.No. (parallel)	7s57082	7s57083	7s57131	7s57132	7s57077	7s57078	7s57079	7s57095	7s57096	7s57097	
Art.No. (serial)								7s57147	7s57148	7s57149	
Pneumatic Performance											
Free Flow [l/min]	parallel 8,5 6,5		parallel 8,5 6,5		parallel 13,0			serial / parallel 8,0 / 13,0			
flow at: Pressure Side											
300 mbar [l/min]	5,2	4,0	-	-	9,7			-			
max. Pressure [mbar]	1870	1800	-	-	1880			-			
flow at: Vacuum Side											
-300 mbar [l/min]	3,4	2,5	3,6	2,5	6,0			4,2 / 6,0			
max. Vacuum [mbar]	-660	-640	-710	-700	-660			-910 / -765			
Motor / Power Consumption											
Motor Type	standard optional	Long Life Double Ball Bearing				Low Cost Iron Core					
max. Current [mA]		800	350	800	350	2000	1100	800	2000	1100	800
Construction											
Pump Head	standard optional	PPS customer specific - upon request									
Diaphragm, Valves	standard optional	EPDM FKM, FFKM, PTFE PUR									
Tubing											
Weight [g]		230		230		250			250		

Performance Curves





SP 620 / 622 / 625 / 628 EC-DU

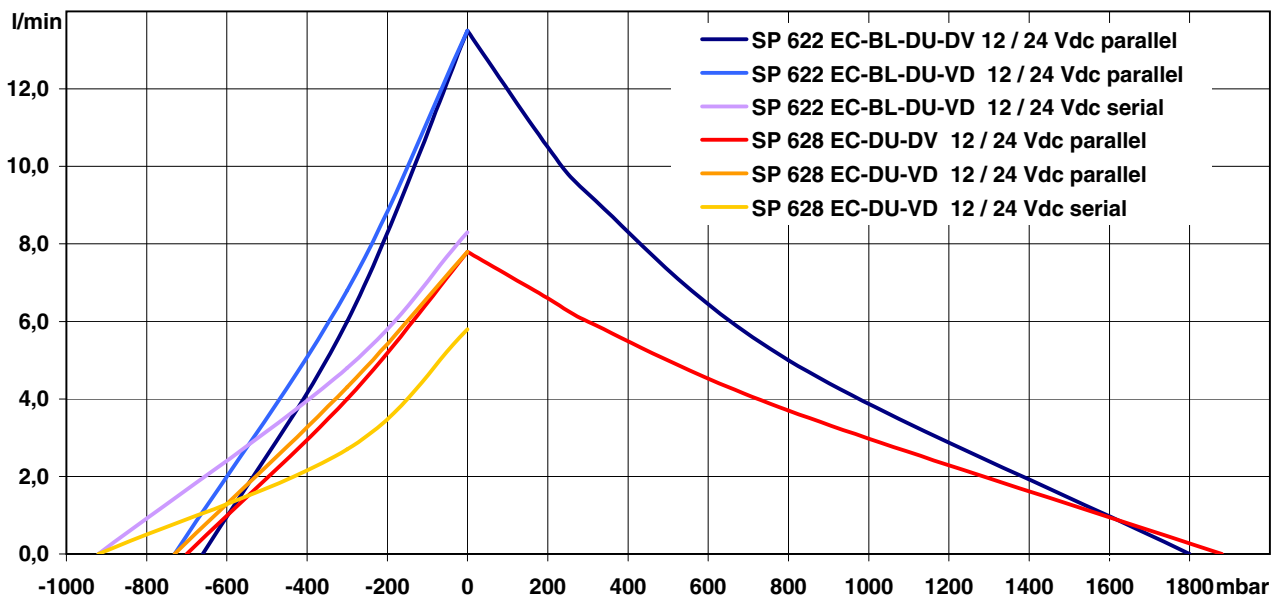
The pumps listed below represent a typical selection of our wide range of eccentric pumps and are intended for initial tests.

Customised versions for your individual application would be made without extra costs - please contact us!

Note: In order to achieve highest life time, we offer different diaphragm designs. Please inform us about your application.

Designation	SP 622 EC-BL-DU-DV		SP 622 EC-BL-DU-VD		SP 628 EC-DU-DV		SP 628 EC-DU-VD		
Operating Voltage	12 Vdc	24 Vdc	12 Vdc	24 Vdc	12 Vdc	24 Vdc	12 Vdc	24 Vdc	
Art.No. (parallel)	7s57093	7s57094	7s57090	7s57091	7s57134	7s57135	7s57137	7s57138	
Art.No. (serial)			7s57125	7s57126			7s57145	7s57146	
Pneumatic Performance									
Free Flow [l/min]	parallel 13,5		serial / parallel 8,3 / 13,5		parallel 7,8		serial / parallel 5,8 / 7,8		
flow at: Pressure Side									
300 mbar [l/min]	9,3		-		6,0		-		
max. Pressure [mbar]	1800		-		1880		-		
flow at: Vacuum Side									
-300 mbar [l/min]	6,0		4,8 / 6,8		4,0		2,7 / 4,3		
max. Vacuum [mbar]	-660		-920 / -730		-700		-920 / -730		
Motor / Power Consumption									
Motor Type	standard optional	brushless (analog, PWM signal)				Long Life Double Ball Bearing			
max. Current [mA]	1500	750	1500	750	780	340	780	340	
Construction									
Pump Head	standard optional	PPS customer specific - upon request							
Diaphragm, Valves	standard optional	EPDM FKM, FFPM, PTFE PUR							
Tubing									
Weight [g]		203		203		320		320	

Performance Curves

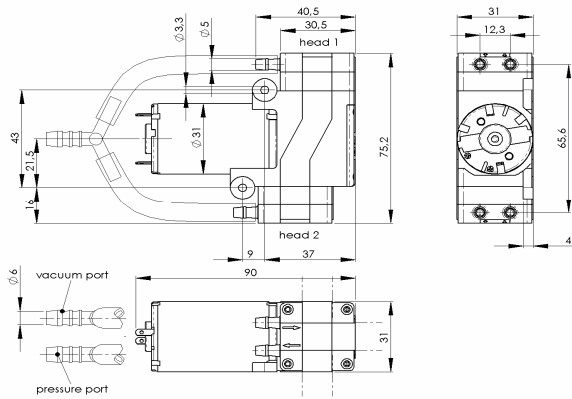




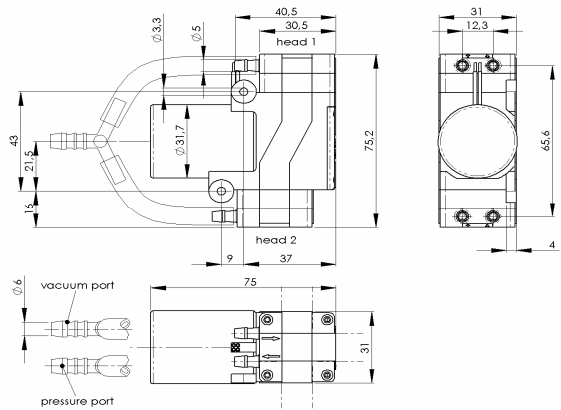
Eccentric Diaphragm Pumps for Gas / Air

SP 620 / 622 / 625 / 628 EC-DU

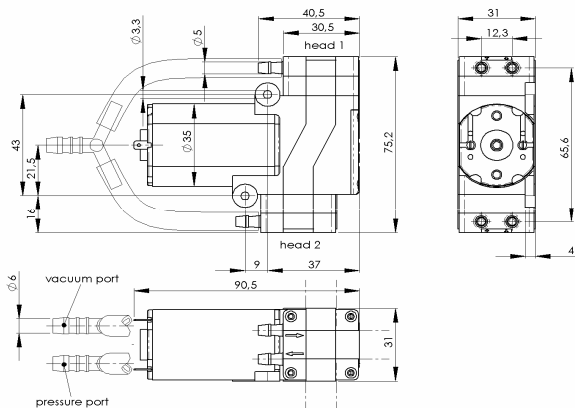
SP 620 EC-DU



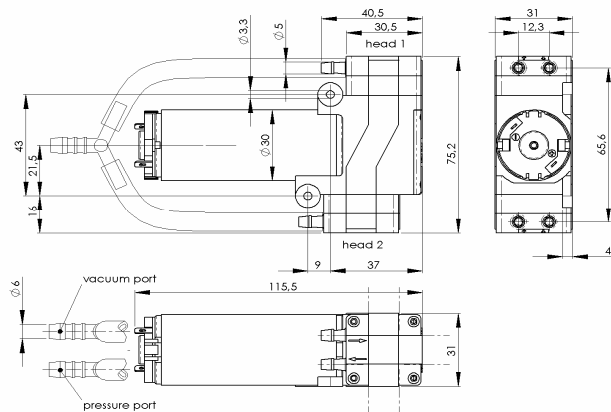
SP 622 EC-BL-DU



SP 625 EC-LC-DU



SP 628 EC-DU



Standard: connection ports as shown. Optional: 3 other port positions possible (see dashed lines)

