



## Eccentric Diaphragm Pumps for Gas / Air SP 200 EC / 250 EC / 270 EC



SP 200 EC-LC



SP 270 EC-LC



SP 250 EC  
SP 250 EC-DB



SP 270 EC  
SP 270 EC-DB

### Product Features

- diaphragm micro pump for air and gas
- applicable as vacuum pump or pressure pump
- electric motor driven
- available in 5 / 9 / 12 volt dc
- minimal current consumption
- oil free / maintenance free
- virtually leak tight
- extremely small pocket size
- reduced vibrations
- low noise
- lightweight

### Applications

- Air sampling / gas measurement / gas metering
- Portable gas detector pump for safety devices
- Patient Monitoring / patient analyzer
- Personal gas detector / gas monitor
- Exhaust gas analyser
- Pneumatics
- Pipetting devices
- Fuel cell





## Eccentric Diaphragm Pumps for Gas / Air

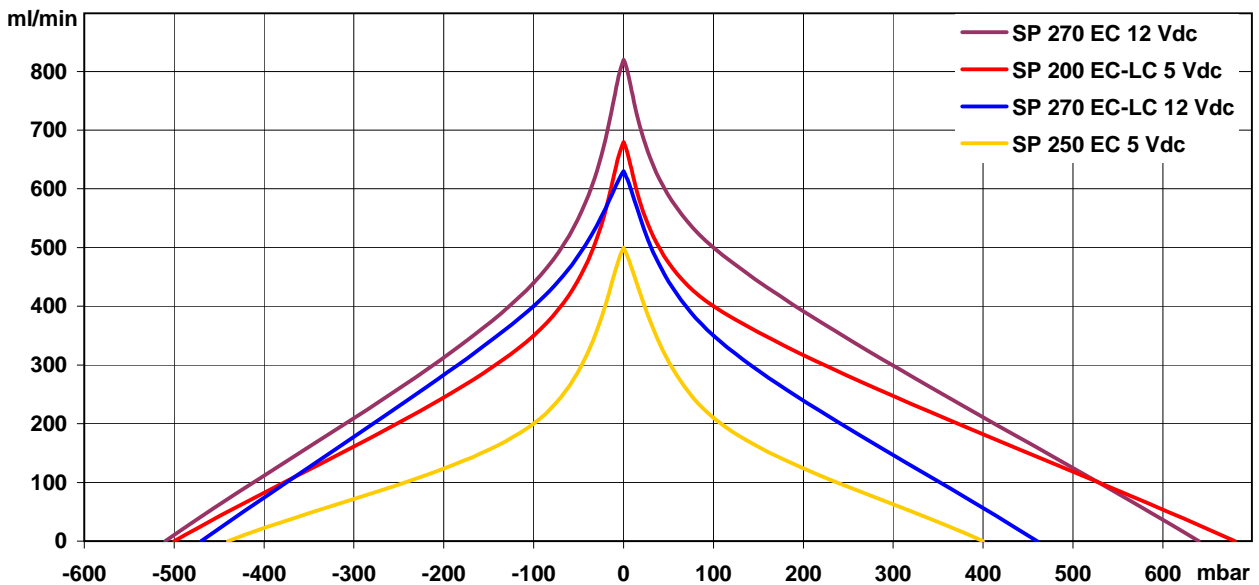
# SP 200 EC / 250 EC / 270 EC

The pumps listed below represent a typical selection of our wide range of eccentric pumps and are intended for initial tests. Customised versions for your individual application would be made without extra costs - please contact us!

Designation	SP 200 EC-LC	SP 250 EC	SP 270 EC			SP 270 EC-LC		
Operating Voltage*	5 Vdc	5 Vdc	3 Vdc	5 Vdc	12 Vdc	5 Vdc	9 Vdc	12 Vdc
Art.No.	7s55025	7s55050	7s55100	7s55076	7s55077	7s55087	7s55044	7s55084
<b>Pneumatic Performance</b>								
Free Flow [ml/min]	680	500	800	750	820	520	500	630
<b>flow at:</b>								
100 mbar [ml/min]	400	210	450	400	500	260	250	350
max. Pressure [mbar]	680	400	500	510	640	350	400	460
<b>flow at:</b>								
-100 mbar [ml/min]	350	200	400	350	440	270	280	400
max. Vacuum [mbar]	-500	-440	-500	-600	-510	-400	-400	-470
<b>Motor / Power Consumption</b>								
Motor Type	iron core	skew wound	skew wound			iron core		
standard	-	brushless	double ball bearing / brushless			-		
optional	-	-	-			-		
max. Current [mA]	130	60	140	65	55	100	70	50
<b>Construction</b>								
Pump Head			PPS			-		
standard			on request					
optional								
Diaphragm, Valves			EPDM					
standard			FKM, Silicone					
optional								
Weight [g]	17,1	20,4	30,3			25,3		

\* other voltages on request

### Performance Curves

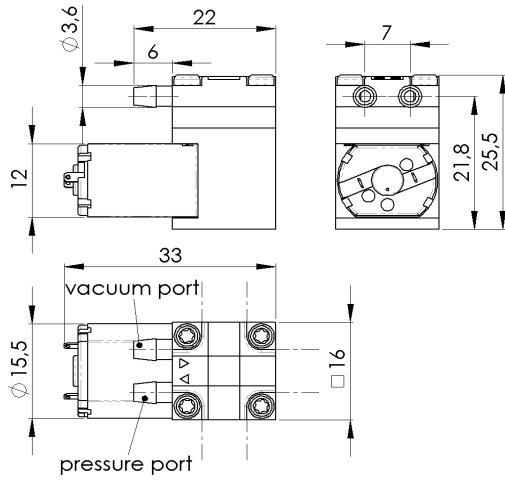




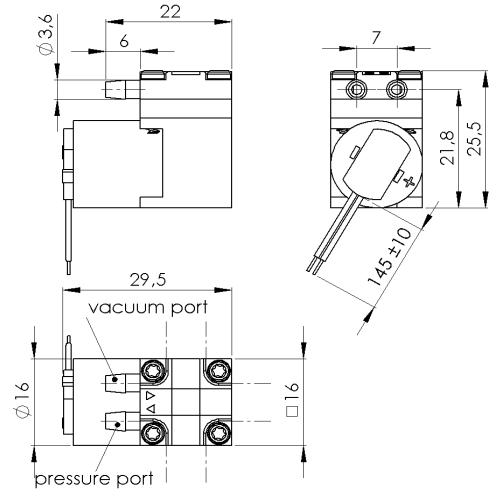
# Eccentric Diaphragm Pumps for Gas / Air

## SP 200 EC / 250 EC / 270 EC

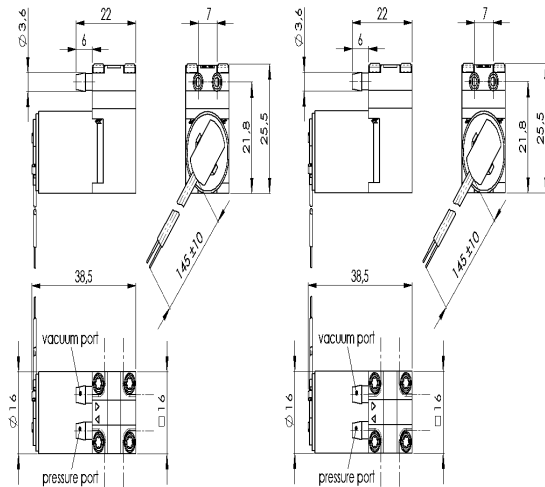
### SP 200 EC-LC



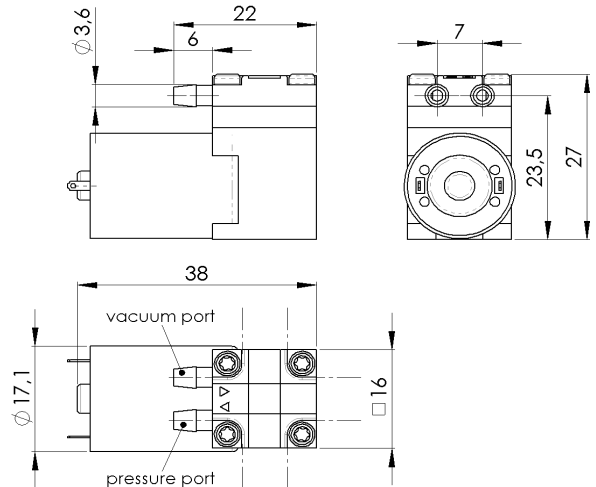
### SP 250 EC / 250 EC-DB



### SP 270 EC / 270 EC-DB



### SP 270 EC-LC



Standard: connection ports as shown  
Optional: 3 other port positions possible (see dashed lines)



Schwarzer  
Precision



**Mounting clamp (metal)**



suitable for:

- SP 270 EC
- SP 270 EC-LC
- SP 270 EC-TH

Art.No.: 5.58.14

**Mounting clamp (plastic)**



suitable for:

- SP 270 EC
- SP 270 EC-LC
- SP 270 EC-TH

Art.No.: 5.58.01

In order to reduce noise and vibration we recommend securing the pump in one of the following ways:

- with padded double sided adhesive tape
- with Velcro (hook and loop) tape for easy assembly and service
- Put the pump in a box lined with foam. Motor wires and tubing can go through a hole in the side of the box.