

SP 620 EC-TH-L

## *We care.*

**Customised Pumps - No Additional Costs!**

### Product Features

- Miniature diaphragm pump for liquids
- Chemical resistant versions available
- Use with two media or in serial or parallel operation
- Durable iron core drives with ball bearings
- Low weight and small size
- Self-priming
- Low noise and reduced vibrations
- Installation in any mounting orientation allows simple device integration
- Oil-free and maintenance-free

### Application Examples

- Industrial applications
- Medical applications
- Laboratory applications
- Analytical applications
- Cooling and heating
- Cleaning and disinfection
- Inkjet printers and reprography
- Fuel cells
- Pipetting
- Random access analyzers

and many more...

### Customisation

- We offer your customised precision pump without additional costs - even for small batches
- Outstanding quality
- Excellent technical consultation and service by experts
- More than 40 years experience in pump applications
- Fast delivery - order your sample now!

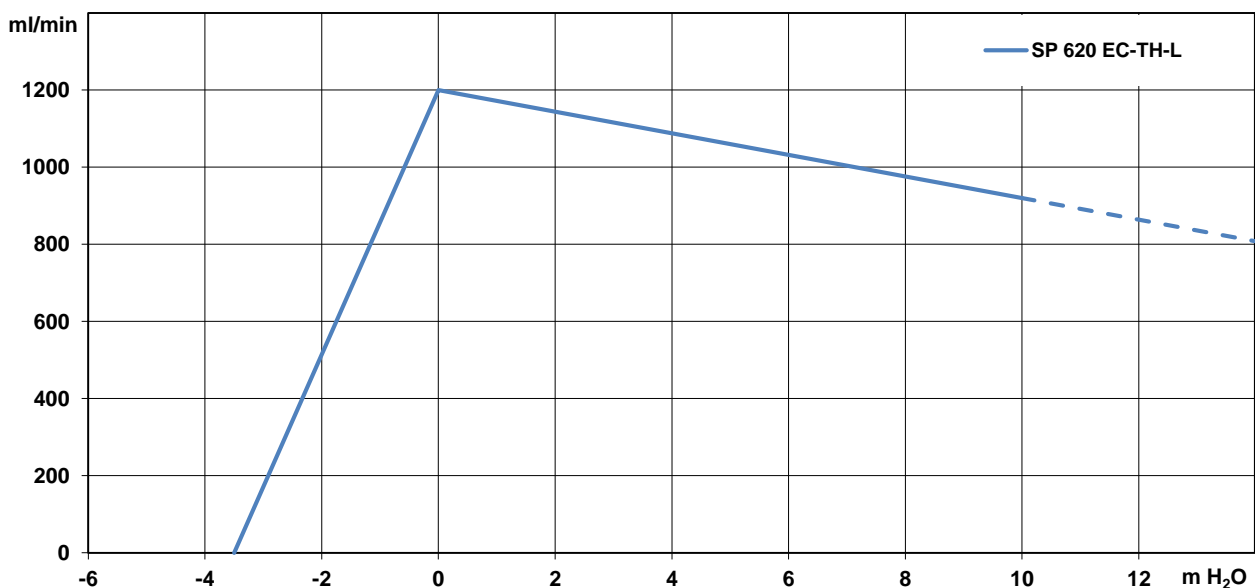


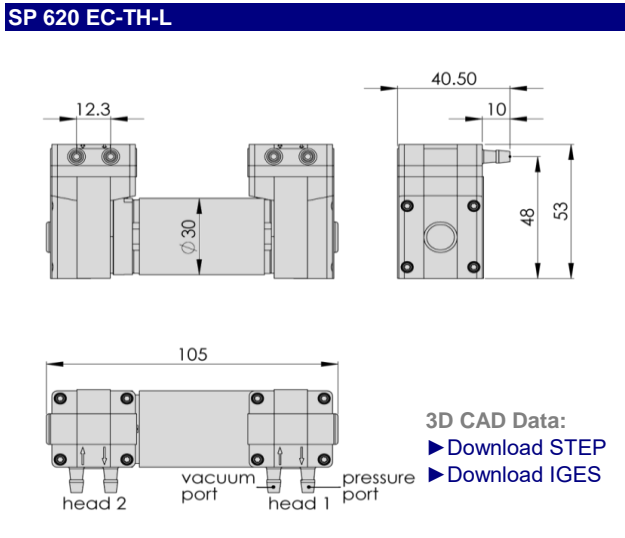
# SP 620 EC-TH-L

The pumps listed below represent a typical selection of our wide range of eccentric pumps and are intended for initial tests. **Customised versions** for your individual application would be made without additional costs - please contact us! All flow values given under norm conditions (according to DIN 1343). Optional materials can cause deviating performance values.

Designation		SP 620 EC-TH-L
Operating Voltage [Vdc]		12 Vdc
Art.No.		7s57108
Hydraulic Performance (measured with water at 20°C)		
Free Flow [ml/min]		1200
Pressure Side		
Flow at 10 m H <sub>2</sub> O [ml/min]		920
Flow at 15 m H <sub>2</sub> O [ml/min]		780
max. Pressure Height [m H <sub>2</sub> O]		> 10.0
Although the pumps are able to produce pressure above 10 m H <sub>2</sub> O, it is not recommended to exceed this limit!		
Vacuum Side		
max. Suction Height (filled system) [m H <sub>2</sub> O]		-3.5
max. Vacuum (dry) [mbar]		-300
Motor / Power Consumption		
Standard Motor		iron core / ball bearings
max. Nominal Current [mA]		1000
Optional Motor Type		-
Construction		
Pump Head	standard optional	PPS customer specific (upon request)
Diaphragm, Valves	standard optional	EPDM FKM / FFKM / PTFE
Weight [g]		240

## Performance Curves



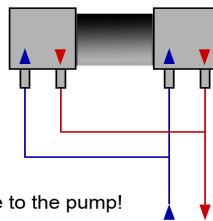


Standard: connection ports as shown  
Optional: 3 other port positions possible

You can also download the 3D CAD data on the SP website:  
▶ [www.schwarzer.com/download](http://www.schwarzer.com/download)

### Tubing Diagram

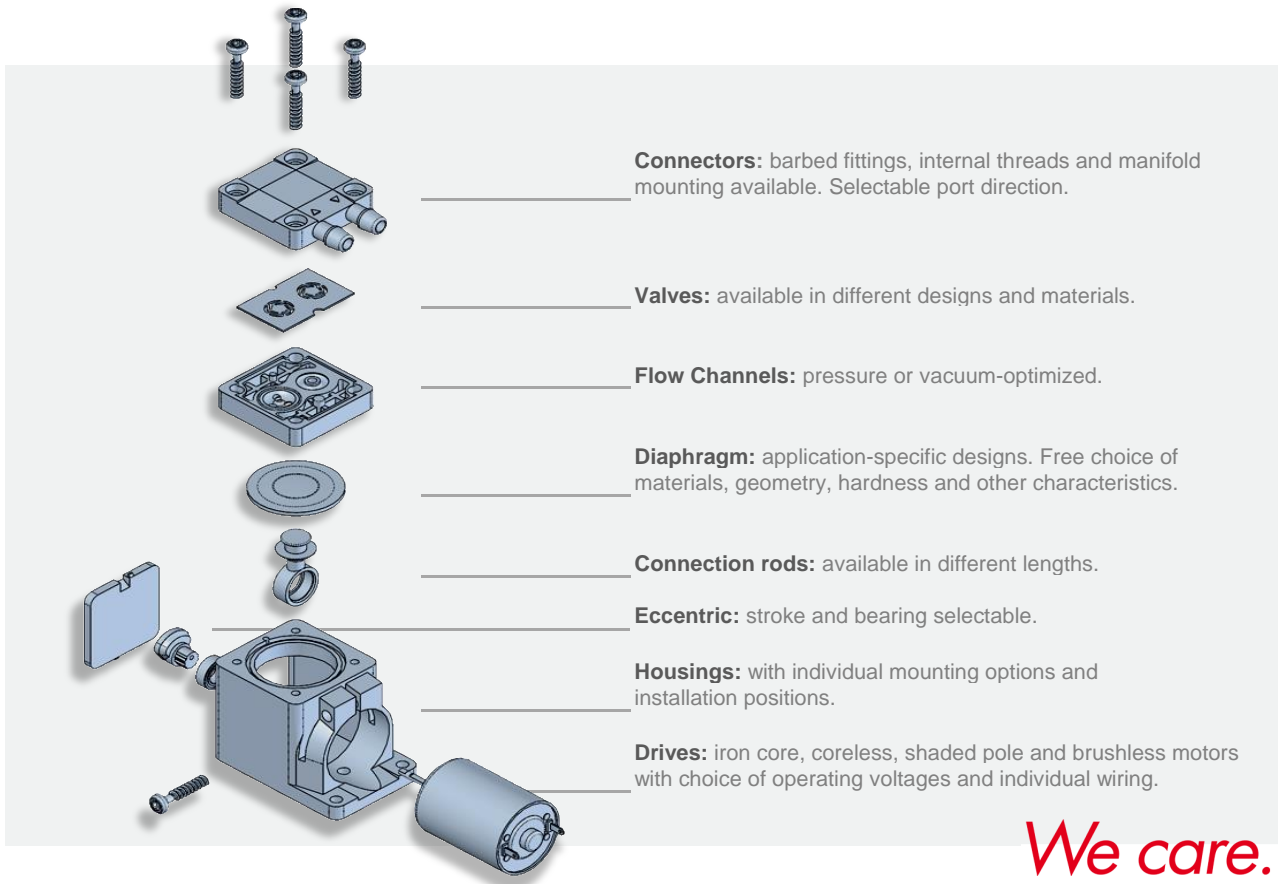
Note: parallel operation only!  
Serial operation can cause damage to the pump!





### Customising Examples

Customising without compromises is extremely important to us. We develop precision pumps in direct collaboration with our customers - with all parameters exactly adapted to the respective application. Thanks to the modular pump design, this is done without added development-related costs! We develop the ideal pump for you. Uncompromising and reliable.



### Installation Notes

In order to minimise noise and vibration we recommend securing the pump in one of the following ways:

- with rubber mounting (see "Accessories")
- with padded double sided adhesive tape
- with Velcro (hook and loop) tape for easy assembly and service
- Put the pump in a box lined with foam. Motor wires and tubing for the pump can lead through a hole in the side of the box.

### Accessories

Schwarzer Precision offers a comprehensive portfolio of pump accessories such as:

- mountings
- silencers + filters
- electronics
- check valves + pressure switches