



SP V 27 RO-D



SP V 12TW 27D RO-V
SP V 12TC 27FH RO-D

Product Features

- oil free
- maintenance free
- reduced vibrations
- low noise
- small size
- lightweight
- minimal current consumption

Applications

- Blood Pressure Monitoring
- Industrial Applications



Schwarzer
Precision

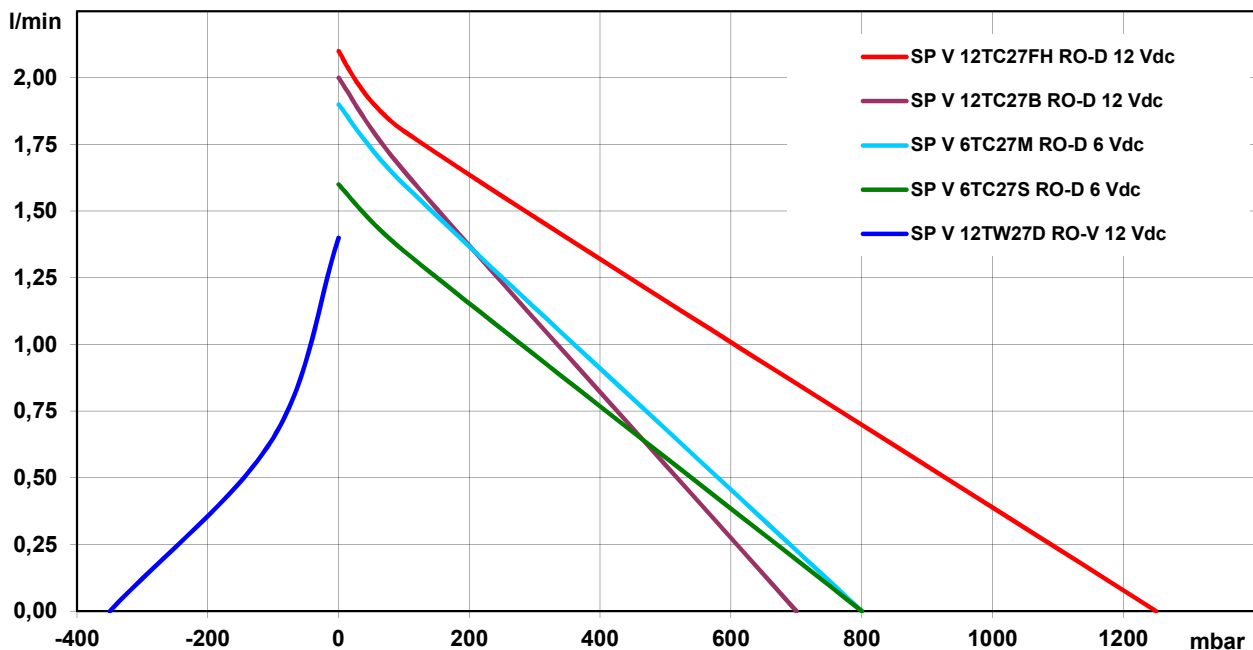


Designation	SP V 6TC27S RO-D	SP V 6TC27M RO-D	SP V 12TC27B RO-D	SP V 12TC27FH RO-D	SP V 12TW27D RO-V
Art.Nr.:	7k73051	7k73052	7k73056	7k73061	7k73015
Main Application	Blood Pressure Metering			Industrial	
Body					
Body Size	Ø 27 mm x 58 mm			Ø 27 mm x 77.5 mm	
Nozzle Length / Ø	6.3 mm / 4.2 mm			11.7 x 4.75 mm	
Bearings	oiled				
Number of Nozzles	1 (outlet only)			2	
Medium	Air			Air	
Motor					
Motor speed	slow	medium		fast	-
Rated Voltage	6 Vdc	6 Vdc	12 Vdc	12 Vdc	12 Vdc
Operational Voltage	4.5 - 7.0 Vdc	4.5 - 7.0 Vdc	9.0 - 14.0 Vdc	9.0 - 14.0 Vdc	9.0 - 14.0 Vdc
Performance					
Free flow rate	1.6 l/min	1.9 l/min	2.0 l/min	2.1 l/min	1.4 l/min
Test Cycle	500cc from 0 to 300 mmHg at Rated Voltage				
Pressurizing Time at Test	max. 12 sec.	max. 8.5 sec.	max. 8.0 sec.	n/a	n/a
Noise Level at Test (30 cm distance @ 200 - 300 mmHg)	max. 53 dB(A)	max. 57 dB(A)	max. 55 dB(A)	n/a	n/a
Max. leak Rate at 300 mmHg / 500cc	2 mmHg/min	2 mmHg/min	2 mmHg/min	n/a	n/a
Dead Head Pressure	600 mmHg	600 mmHg	525 mmHg	1250 mbar	-
Dead Head Vacuum	-	-	-	-	350 mbar
Re-start voltage @ 200 mmHg up to 300 mmHg	max. 3.0 V	max. 3.0 V	max. 6.0 V	n/a	n/a
Max. current at test cycle	300 mA	330 mA	200 mA	470 mA	200 mA
Environmental Conditions					
Operational Temp.	+5 - +45°C				
Operational Humidity	30%-80% rel. Hum.				
Storage Temperature	-20 - +70°C				
Storage Humidity	30%-80% rel. Hum.				
Lifetime					
Test cycle (lifetime)	500cc from 0 to 260 mmHg at Rated Voltage				
Specified Lifetime	300000 test cy.			n/a	n/a
MTBF	400000 cycles			n/a	n/a



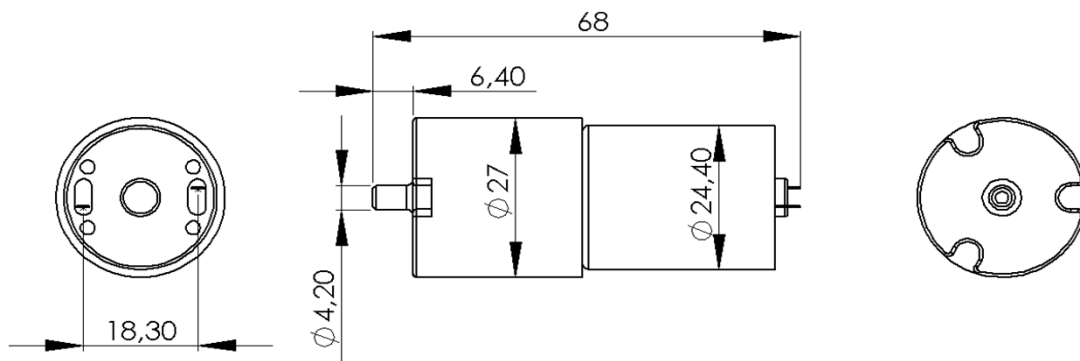
Designation	SP V 6TC27S RO-D	SP V 6TC27M RO-D	SP V 12TC27B RO-D	SP V 12TC27FH RO-D	SP V 12TW27D RO-V
Voltage	6 Vdc	6 Vdc	12 Vdc	12 Vdc	12 Vdc
Art.-No.	7k73051	7k73052	7k73056	7k73061	7k73015
Pneumatic Performance					
Free Flow [l/min]	1,6	1,9	2,0	2,1	1,4
flow at:					
100 mbar [l/min]	1,35	1,60	1,65	1,80	-
max. Pressure [mbar]	800	800	700	1250	-
flow at:					
-100 mbar [l/min]	-	-	-	-	0,65
max. Vacuum [mbar]	-	-	-	-	-350
Motor / Power Consumption					
Motor Type			Iron Core		
Power Consumption [mA]	300	330	200	470	200
Construction					
Pump Body	ABS / POM				
Diaphragm	EPDM				
Valves	NBR				
Weight [g]	62				

Performance Curves





SP V 6TC27S RO-D / SP V 6TC27M RO-D / SP V 12TC27B RO-D



SP V 12TC27FH RO-D / SP V 12TW27D RO-V

