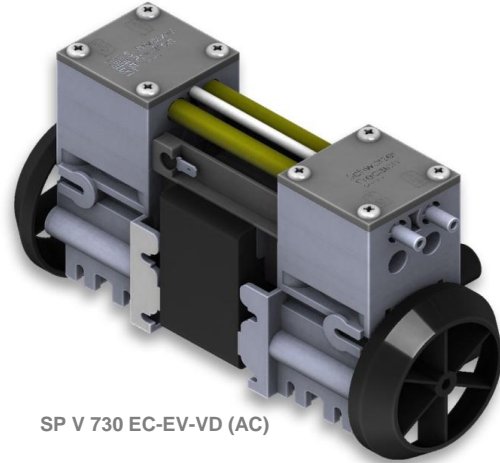


SP V 730 EC-EV-VD (DC)



SP V 730 EC-EV-VD (AC)

## We care.

Customised Pumps - No Additional Costs!

### Product Features

- Miniature diaphragm pump for gases
- Optimized for vacuum applications
- High efficiency and available in common supply voltages
- Various drives available
- Low weight and small size
- Applicable for noise- and vibration-sensitive environments
- Installation in any mounting orientation allows simple device integration
- Leak-tight, oil-free and maintenance-free

### Application Examples

Particularly suitable for stationary devices such as:

- Gas analysers
- Anaesthesia monitoring
- Auto samplers
- Exhaust or flue gas analyzers
- Blood pressure monitoring
- Industrial pressure and vacuum
- Pipetting devices

and many more...

### Customisation

- We offer your customised precision pump without additional costs - even for small batches
- Our modular concept allows easy adaptations
- Outstanding quality - Made in Germany
- Excellent technical consultation and service by experts
- More than 40 years experience in pump applications
- Manifold mounting
- Fast delivery - order your sample now!





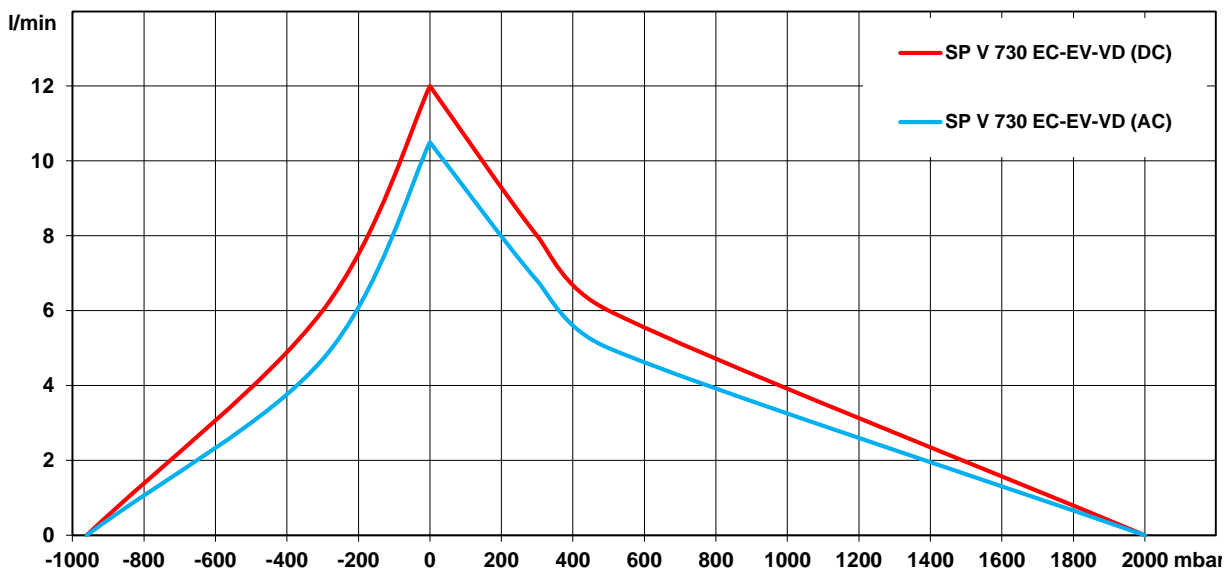
The pumps listed below represent a typical selection of our wide range of eccentric pumps and are intended for initial tests.

**Customised versions** for your individual application would be made without additional costs - please contact us!

All flow values given under norm conditions (according to DIN 1343). Optional materials can cause deviating performance values.

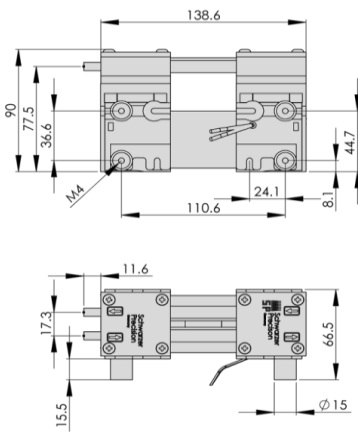
Designation	SP V 730 EC-EV-VD (DC)		SP V 730 EC-EV-VD (AC)		
Operating Voltage	12 Vdc	24 Vdc	24 Vac (50-60 Hz)	120 Vac (60 Hz)	230 Vac (50 Hz)
Art. No.	7e53054	7e53055	7e53056	7e53057	7e53058
<b>Pneumatic Performance</b>					
Free Flow [l/min]	12.0		10.5		
<b>Pressure Side</b>					
Flow at 300 mbar [l/min]	8.0		6.8		
Flow at 500 mbar [l/min]	6.0		5.0		
max. Pressure [mbar]	2000		2000		
<b>Vacuum Side</b>					
Flow at -300 mbar [l/min]	6.0		4.7		
max. Vacuum [mbar]	-960		-960		
<b>Motor / Power Consumption</b>					
Standard Motor Type	iron core / ball bearings		shaded pole / ball bearings		
Current at Run [mA]	1100	550	n/a	n/a	400
Current at Start [mA]	2000	1000	n/a	n/a	n/a
Power Consumption [W]	-	-	n/a	n/a	88
Optional Motor Type	-		-		
<b>Construction</b>					
Pump Head	standard		PPS		
	optional		-		
Diaphragm	standard		FKM		
	optional		-		
Valves	standard		FKM		
	optional		-		
IP-Protection		IP 20		IP 00	
Insulation Class		Class E		Class B	
Thermal Switch		-		120°C	
Weight [g]		800		1760	

### Performance Curves



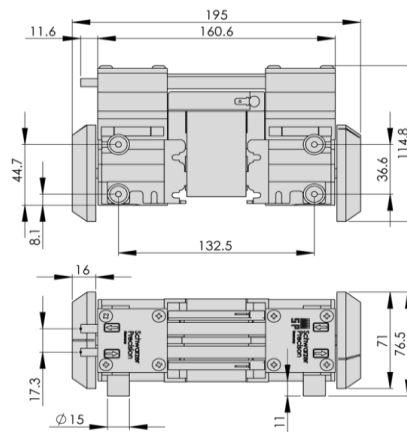


## SP V 730 EC-EV-VD (DC)



3D CAD Data:  
▶ Download STEP  
▶ Download IGES

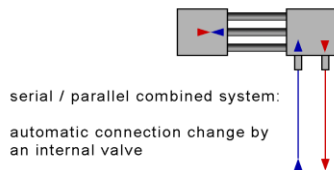
## SP V 730 EC-EV-VD (AC)



3D CAD Data:  
▶ Download STEP  
▶ Download IGES

Standard: connection ports as shown  
Optional: 3 other port positions possible

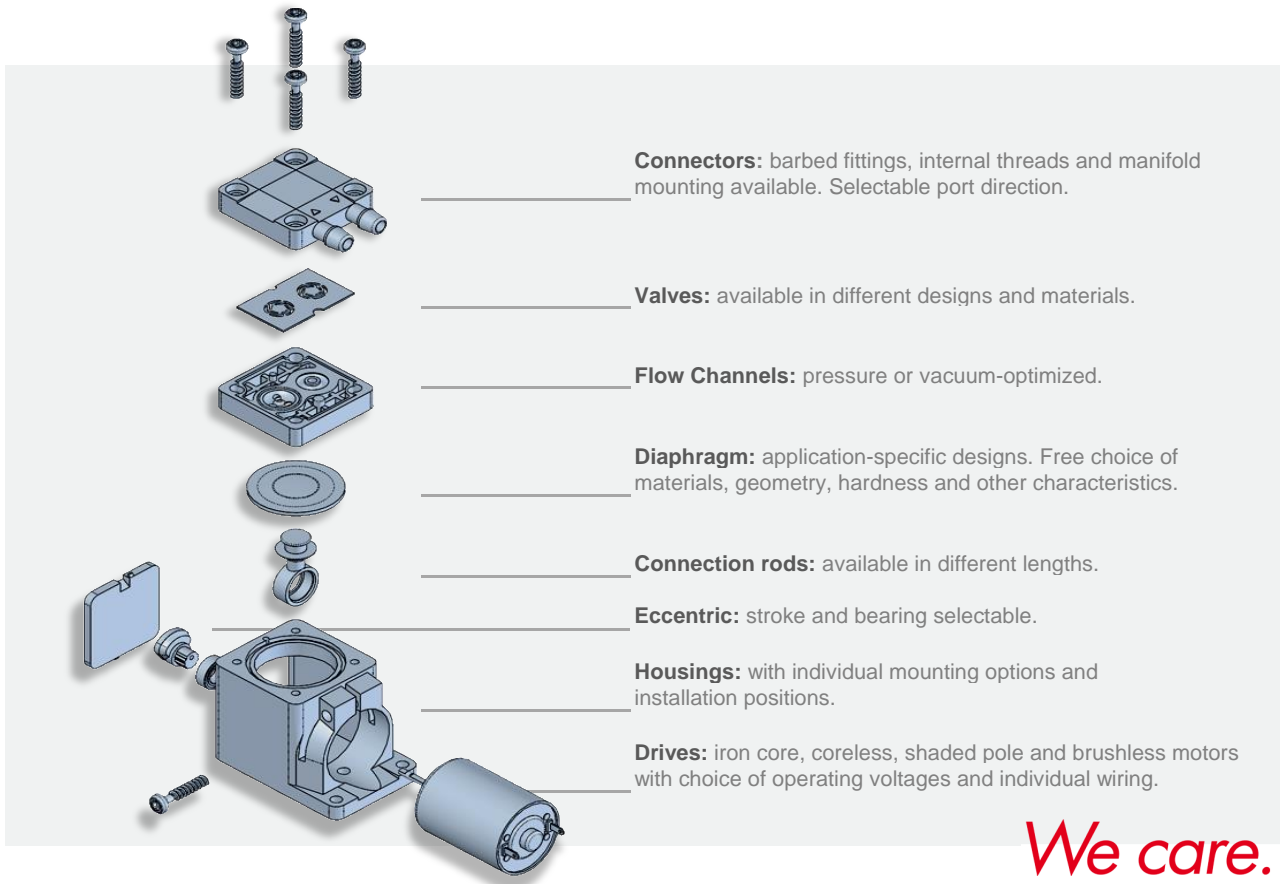
You can also download the 3D CAD data on the SP website:  
▶ [www.schwarzer.com/download](http://www.schwarzer.com/download)





### Customising Examples

Customising without compromises is extremely important to us. We develop precision pumps in direct collaboration with our customers - with all parameters exactly adapted to the respective application. Thanks to the modular pump design, this is done without added development-related costs! We develop the ideal pump for you. Uncompromising and reliable.



### Installation Notes

In order to minimise noise and vibration we recommend securing the pump in one of the following ways:

- with rubber mounting (see "Accessories")
- with padded double sided adhesive tape
- with Velcro (hook and loop) tape for easy assembly and service
- Put the pump in a box lined with foam. Motor wires and tubing for the pump can lead through a hole in the side of the box.

### Accessories

Schwarzer Precision offers a comprehensive portfolio of pump accessories such as:

- mountings
- silencers + filters
- electronics
- check valves + pressure switches