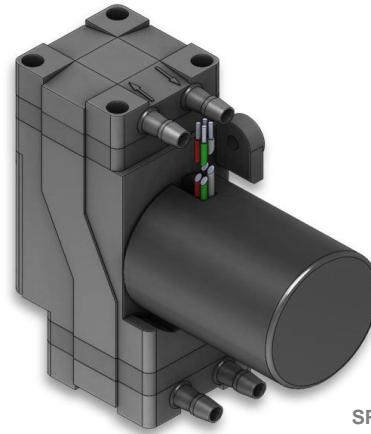


SP 620 EC-BL-DU



SP 622 EC-BL-DU

We care.

Customised Pumps - No Additional Costs!

Product Features

- Miniature diaphragm pump for gases
- Vacuum or pressure optimized pump design
- Use with two media or in serial or parallel operation
- High efficiency and available in common supply voltages
- Very durable brushless drives
- Low weight and small size
- Applicable for noise- and vibration-sensitive environments (i.e. hospitals, personal protection equipment, etc.)
- Installation in any mounting orientation allows simple device integration
- Leak-tight, oil-free and maintenance-free

Application Examples

Particularly suitable for portable and stationary devices such as:

- Gas analysers
- Anaesthesia monitoring
- Auto samplers
- Dental vacuum pump
- Exhaust or flue gas analyzers
- Blood pressure monitoring
- Industrial pressure and vacuum
- Chromatography
- Pipetting devices

and many more...

Customisation

- We offer your customised precision pump without additional costs - even for small batches
- Our modular concept allows easy adaptations
- Outstanding quality - Made in Germany
- Excellent technical consultation and service by experts
- More than 40 years experience in pump applications
- Manifold mounting
- Fast delivery - order your sample now!



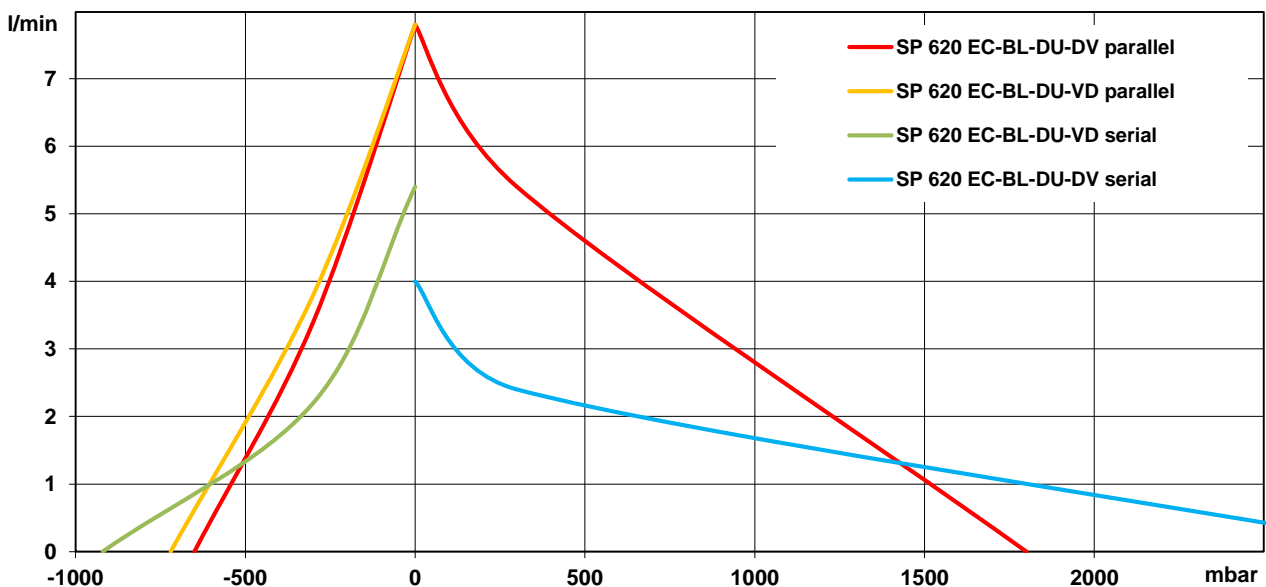


SP 620 / 622 EC-BL-DU

The pumps listed below represent a typical selection of our wide range of eccentric pumps and are intended for initial tests. **Customised versions** for your individual application would be made without additional costs - please contact us! All flow values given under norm conditions (according to DIN 1343). Optional materials can cause deviating performance values.

Designation	SP 620 EC-BL-DU-DV				SP 620 EC-BL-DU-VD			
	serial		parallel		serial		parallel	
Operating Voltage [Vdc]	12	24	12	24	12	24	12	24
Art. No.	7s57215	7s57216	7s57261	7s57262	7s57263	7s57264	7s57265	7s57266
Pneumatic Performance								
Free Flow [l/min]	4.0		7.8		5.4		7.8	
Pressure Side								
Flow at 300 mbar [l/min]	2.4		5.4		-		-	
max. Pressure [mbar]	3000		1800		-		-	
Vacuum Side								
Flow at -300 mbar [l/min]	-		3.4		2.2		3.8	
max. Vacuum [mbar]	-		-650		-920		-720	
Motor / Power Consumption								
Standard Motor Type	brushless, analog control / ball bearings							
max. Nominal Current [mA]	850	550	850	550	850	550	850	550
Optional Motor Types	analog or PWM control or without internal electronics							
Construction								
Pump Head	standard	optional	PPS					
			Customer specific (upon request)					
Diaphragm, Valves	standard	optional	EPDM					
			FKM / FFKM / PTFE					
Tubing			PUR					
Weight [g]	315				315			

Performance Curves



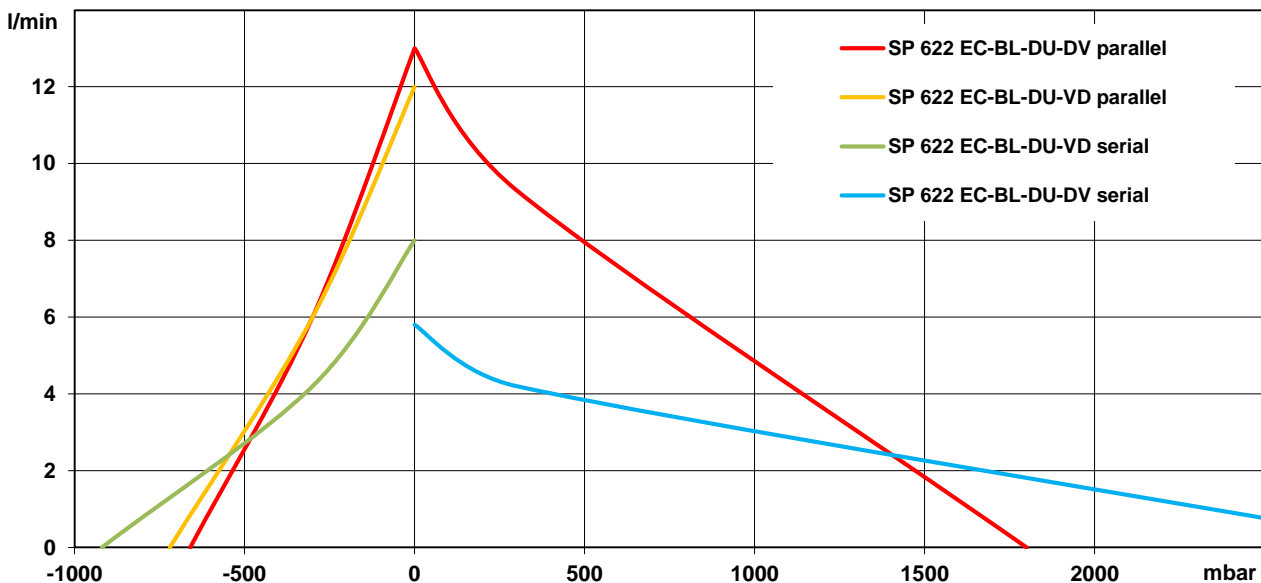


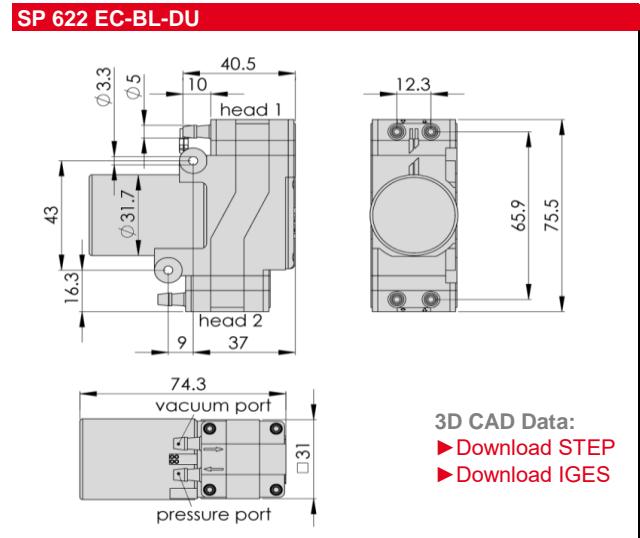
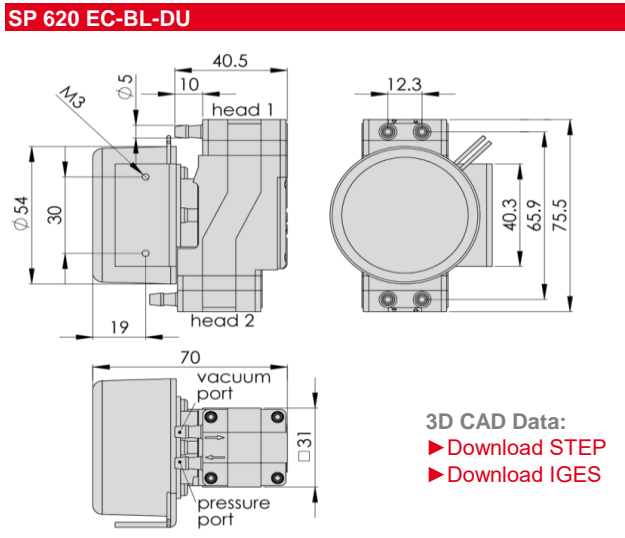
SP 620 / 622 EC-BL-DU

The pumps listed below represent a typical selection of our wide range of eccentric pumps and are intended for initial tests. **Customised versions** for your individual application would be made without additional costs - please contact us! All flow values given under norm conditions (according to DIN 1343). Optional materials can cause deviating performance values.

Designation	SP 622 EC-BL-DU-DV				SP 622 EC-BL-DU-VD			
	serial		parallel		serial		parallel	
Operating Voltage [Vdc]	12	24	12	24	12	24	12	24
Art. No.	7s57217	7s57218	7s57093	7s57094	7s57125	7s57126	7s57090	7s57091
Pneumatic Performance								
Free Flow [l/min]	5.8		13.0		8.0		12.0	
Pressure Side								
Flow at 300 mbar [l/min]	4.2		9.3		-		-	
max. Pressure [mbar]	3000		1800		-		-	
Vacuum Side								
Flow at -300 mbar [l/min]	-		6.0		4.2		6.0	
max. Vacuum [mbar]	-		-660		-920		-720	
Motor / Power Consumption								
Standard Motor Type	brushless, analog or PWM control / ball bearings							
max. Nominal Current [mA]	1800	900	1650	870	1650	870	1650	870
Optional Motor Types	analog control or without internal electronics							
Construction								
Pump Head	standard optional	PPS Customer specific (upon request)						
Diaphragm, Valves	standard optional	EPDM FKM / FFKM / PTFE PUR						
Tubing	203							
Weight [g]	203				203			

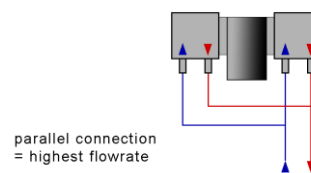
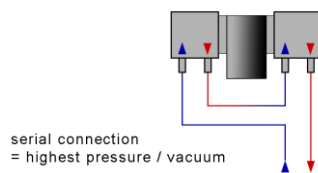
Performance Curves





Standard: connection ports as shown
Optional: 3 other port positions possible

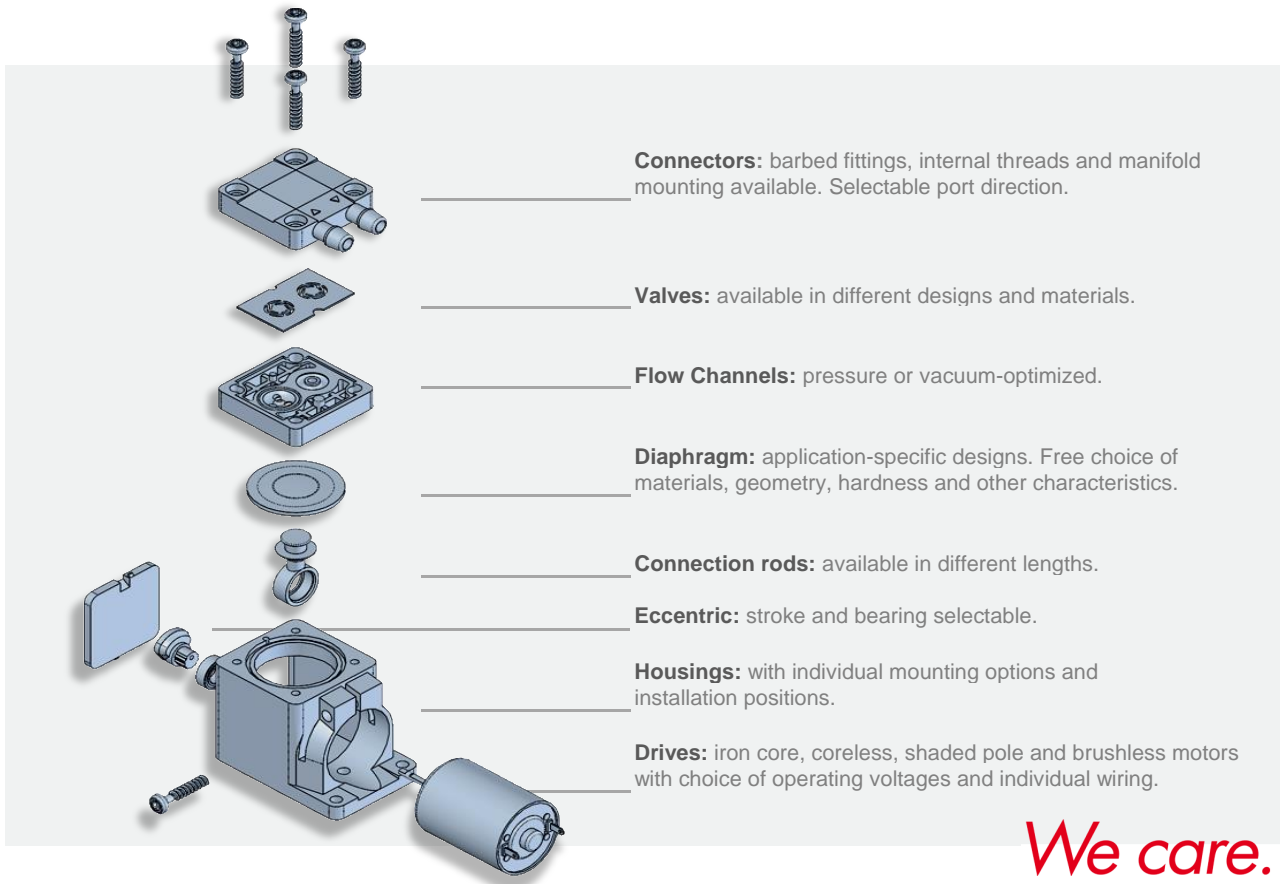
You can also download the 3D CAD data on the SP website:
▶ www.schwarzer.com/download





Customising Examples

Customising without compromises is extremely important to us. We develop precision pumps in direct collaboration with our customers - with all parameters exactly adapted to the respective application. Thanks to the modular pump design, this is done without added development-related costs! We develop the ideal pump for you. Uncompromising and reliable.



Installation Notes

In order to minimise noise and vibration we recommend securing the pump in one of the following ways:

- with rubber mounting (see "Accessories")
- with padded double sided adhesive tape
- with Velcro (hook and loop) tape for easy assembly and service
- Put the pump in a box lined with foam. Motor wires and tubing for the pump can lead through a hole in the side of the box.

Accessories

Schwarzer Precision offers a comprehensive portfolio of pump accessories such as:

- mountings
- silencers + filters
- electronics
- check valves + pressure switches